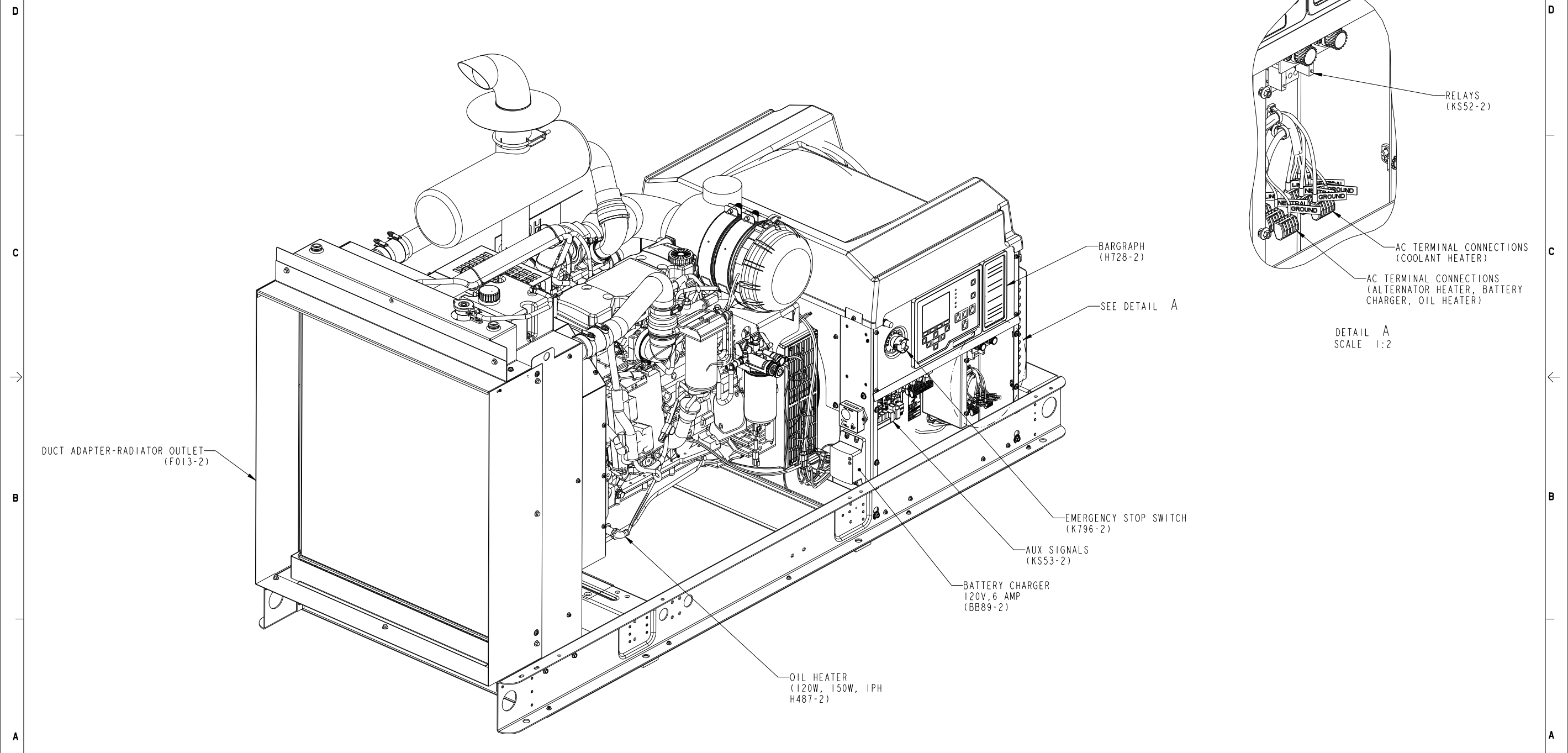


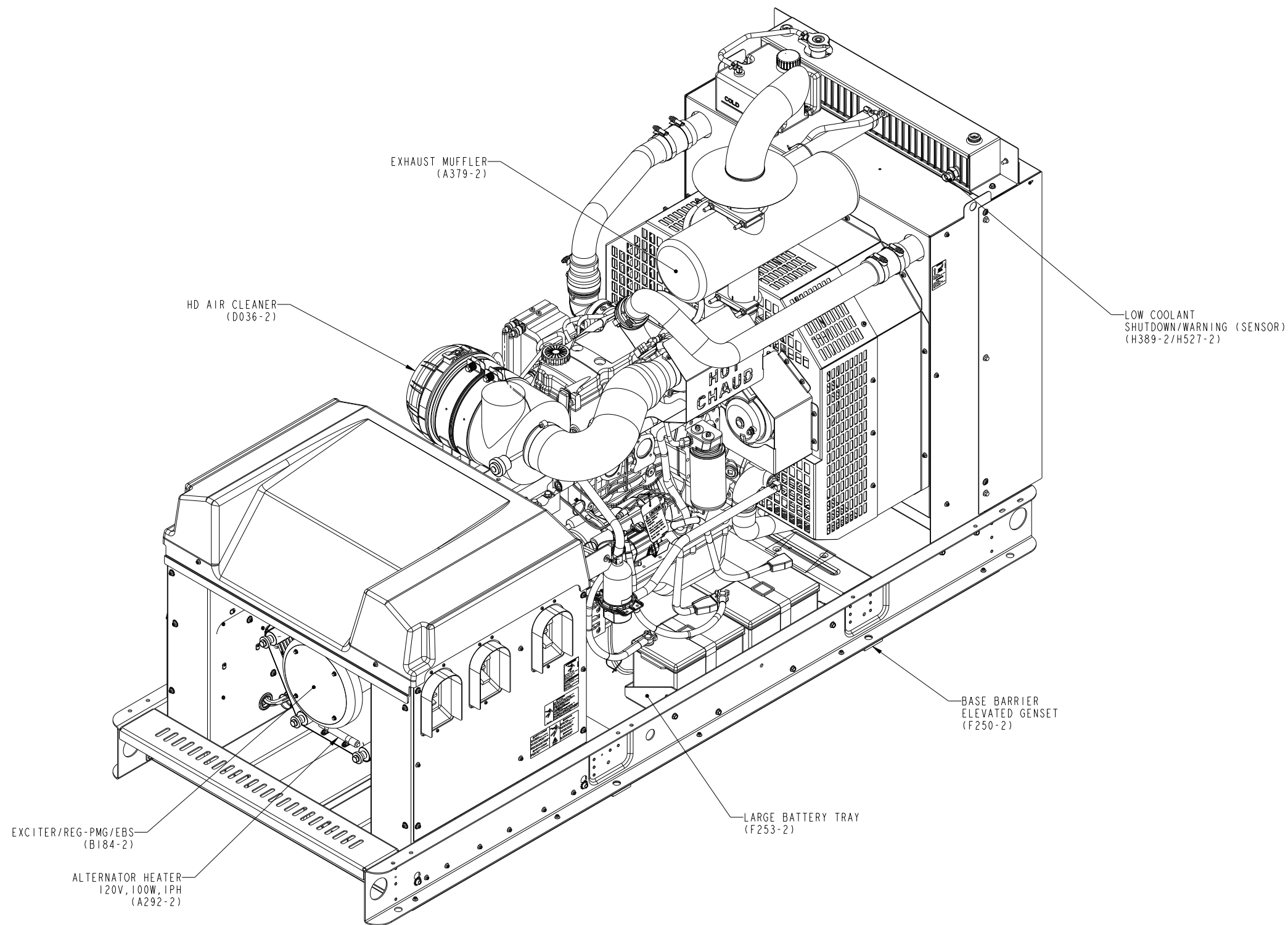
REL NO	REV	NO	REVISION	DNW	CKD	APVD	DATE
ECO-160476	A	1	PRODUCTION RELEASE	DAH	DAH	JAWALE	17MAR16



C50 D6C, C60 D6C, C80 D6C,
C100 D6C, C125 D6C

UNLESS OTHERWISE SPECIFIED, ALL DIMENSIONS ARE IN MILLIMETERS		SIN TO		DNW D HOFMEISTER			CUMMINS POWER GENERATION																																																									
DO NOT SCALE PRINT				CAD D HOFMEISTER			OUTLINE, GENSET OPTIONS																																																									
<table border="1"> <tr> <th>DIM</th> <th>TOL</th> <th>IN</th> <th>MIL</th> </tr> <tr> <td>X ± 1</td> <td>0.00-4.99</td> <td>+0.15/-0.08</td> <td></td> </tr> <tr> <td>.X ± 0.8</td> <td>5.00-9.99</td> <td>+0.20/-0.10</td> <td></td> </tr> <tr> <td>.XX ± 0.38</td> <td>10.00-17.49</td> <td>+0.25/-0.13</td> <td></td> </tr> <tr> <td></td> <td>17.50-24.99</td> <td>+0.30/-0.13</td> <td></td> </tr> </table>	DIM	TOL	IN	MIL	X ± 1	0.00-4.99	+0.15/-0.08		.X ± 0.8	5.00-9.99	+0.20/-0.10		.XX ± 0.38	10.00-17.49	+0.25/-0.13			17.50-24.99	+0.30/-0.13		ANG TOL ± 1.0°	SCALE 3:16	THIS DOCUMENT AND THE INFORMATION SHOWN THEREON IS CONFIDENTIAL AND PROPRIETARY AND SHALL NOT BE DISCLOSED TO OTHERS IN HARD COPY OR ELECTRONIC FORM, REPRODUCED BY ANY MEANS, OR USED FOR ANY PURPOSE WITHOUT WRITTEN CONSENT OF CUMMINS INC.	FOR INTERPRETATION OF DIMENSIONS AND TOLERANCING, SEE ASME Y14.5-2009	FIRST USED ON	PGF	DATE 17MAR16	SITE CODE	<table border="1"> <tr> <td>REV</td> <td>DATE</td> <td>BY</td> <td>APP'D</td> </tr> <tr> <td>D</td> <td></td> <td></td> <td></td> </tr> </table>	REV	DATE	BY	APP'D	D				<table border="1"> <tr> <td>NO</td> <td>DATE</td> <td>BY</td> <td>APP'D</td> </tr> <tr> <td></td> <td></td> <td></td> <td></td> </tr> </table>	NO	DATE	BY	APP'D					<table border="1"> <tr> <td>NO</td> <td>DATE</td> <td>BY</td> <td>APP'D</td> </tr> <tr> <td></td> <td></td> <td></td> <td></td> </tr> </table>	NO	DATE	BY	APP'D					<table border="1"> <tr> <td>NO</td> <td>DATE</td> <td>BY</td> <td>APP'D</td> </tr> <tr> <td></td> <td></td> <td></td> <td></td> </tr> </table>	NO	DATE	BY	APP'D				
DIM	TOL	IN	MIL																																																													
X ± 1	0.00-4.99	+0.15/-0.08																																																														
.X ± 0.8	5.00-9.99	+0.20/-0.10																																																														
.XX ± 0.38	10.00-17.49	+0.25/-0.13																																																														
	17.50-24.99	+0.30/-0.13																																																														
REV	DATE	BY	APP'D																																																													
D																																																																
NO	DATE	BY	APP'D																																																													
NO	DATE	BY	APP'D																																																													
NO	DATE	BY	APP'D																																																													

REL NO	REV	NO	REVISION	DNW	CKD	APVD	DATE
ECO-160476	A	1	PRODUCTION RELEASE	DAH	DAH	JAWALE	17MAR16



C50 D6C, C60 D6C, C80 D6C,
C100 D6C, C125 D6C

UNLESS OTHERWISE SPECIFIED, ALL DIMENSIONS ARE IN MILLIMETERS		DO NOT SCALE PRINT	DNW D HOFMEISTER		CUMMINS POWER GENERATION																																																																																																																																																																																																																																																																																																																																																																																																																																																																																																																																																																																																																																																																																																																																																																																																																																																																																																																																			
<table border="1"> <tr> <td>ANG TOL</td> <td>SCALE</td> <td>THIS DOCUMENT AND THE INFORMATION SHOWN THEREON IS CONFIDENTIAL AND PROPRIETARY AND SHALL NOT BE DISCLOSED TO OTHERS IN HARD COPY OR ELECTRONIC FORM, REPRODUCED BY ANY MEANS, OR USED FOR ANY PURPOSE WITHOUT WRITTEN CONSENT OF CUMMINS INC.</td> <td> <table border="1"> <tr> <td>DATE</td> <td>17MAR16</td> </tr> </table> </td> <td> <table border="1"> <tr> <td>APVD</td> <td>M JAWALE</td> </tr> </table> </td> <td> <table border="1"> <tr> <td>DATE</td> <td>17MAR16</td> </tr> </table> </td> <td> <table border="1"> <tr> <td>OUTLINE, GENSET</td> </tr> <tr> <td>OPTIONS</td> </tr> </table> </td> </tr> <tr> <td> <table border="1"> <tr> <td>ANG TOL</td> <td>± 1.0°</td> </tr> </table> </td> <td> <table border="1"> <tr> <td>SCALE</td> <td>3:16</td> </tr> </table> </td> <td> <table border="1"> <tr> <td>SIZE</td> <td>ARROW</td> </tr> </table> </td> <td> <table border="1"> <tr> <td>DATE</td> <td>17MAR16</td> </tr> </table> </td> <td> <table border="1"> <tr> <td>APVD</td> <td>M JAWALE</td> </tr> </table> </td> <td> <table border="1"> <tr> <td>DATE</td> <td>17MAR16</td> </tr> </table> </td> <td> <table border="1"> <tr> <td>OUTLINE, GENSET</td> </tr> <tr> <td>OPTIONS</td> </tr> </table> </td> </tr> <tr> <td colspan="4"> <table border="1"> <tr> <td>ANG TOL</td> <td>± 1.0°</td> </tr> </table> </td> <td> <table border="1"> <tr> <td>SCALE</td> <td>3:16</td> </tr> </table> </td> <td> <table border="1"> <tr> <td>SIZE</td> <td>ARROW</td> </tr> </table> </td> <td> <table border="1"> <tr> <td>DATE</td> <td>17MAR16</td> </tr> </table> </td> <td> <table border="1"> <tr> <td>APVD</td> <td>M JAWALE</td> </tr> </table> </td> <td> <table border="1"> <tr> <td>DATE</td> <td>17MAR16</td> </tr> </table> </td> <td> <table border="1"> <tr> <td>OUTLINE, GENSET</td> </tr> <tr> <td>OPTIONS</td> </tr> </table> </td> </tr> <tr> <td colspan="4"> <table border="1"> <tr> <td>ANG TOL</td> <td>± 1.0°</td> </tr> </table> </td> <td> <table border="1"> <tr> <td>SCALE</td> <td>3:16</td> </tr> </table> </td> <td> <table border="1"> <tr> <td>SIZE</td> <td>ARROW</td> </tr> </table> </td> <td> <table border="1"> <tr> <td>DATE</td> <td>17MAR16</td> </tr> </table> </td> <td> <table border="1"> <tr> <td>APVD</td> <td>M JAWALE</td> </tr> </table> </td> <td> <table border="1"> <tr> <td>DATE</td> <td>17MAR16</td> </tr> </table> </td> <td> <table border="1"> <tr> <td>OUTLINE, GENSET</td> </tr> <tr> <td>OPTIONS</td> </tr> </table> </td> </tr> <tr> <td colspan="4"> <table border="1"> <tr> <td>ANG TOL</td> <td>± 1.0°</td> </tr> </table> </td> <td> <table border="1"> <tr> <td>SCALE</td> <td>3:16</td> </tr> </table> </td> <td> <table border="1"> <tr> <td>SIZE</td> <td>ARROW</td> </tr> </table> </td> <td> <table border="1"> <tr> <td>DATE</td> <td>17MAR16</td> </tr> </table> </td> <td> <table border="1"> <tr> <td>APVD</td> <td>M JAWALE</td> </tr> </table> </td> <td> <table border="1"> <tr> <td>DATE</td> <td>17MAR16</td> </tr> </table> </td> <td> <table border="1"> <tr> <td>OUTLINE, GENSET</td> </tr> <tr> <td>OPTIONS</td> </tr> </table> </td> </tr> <tr> <td colspan="4"> <table border="1"> <tr> <td>ANG TOL</td> <td>± 1.0°</td> </tr> </table> </td> <td> <table border="1"> <tr> <td>SCALE</td> <td>3:16</td> </tr> </table> </td> <td> <table border="1"> <tr> <td>SIZE</td> <td>ARROW</td> </tr> </table> </td> <td> <table border="1"> <tr> <td>DATE</td> <td>17MAR16</td> </tr> </table> </td> <td> <table border="1"> <tr> <td>APVD</td> <td>M JAWALE</td> </tr> </table> </td> <td> <table border="1"> <tr> <td>DATE</td> <td>17MAR16</td> </tr> </table> </td> <td> <table border="1"> <tr> <td>OUTLINE, GENSET</td> </tr> <tr> <td>OPTIONS</td> </tr> </table> </td> </tr> <tr> <td colspan="4"> <table border="1"> <tr> <td>ANG TOL</td> <td>± 1.0°</td> </tr> </table> </td> <td> <table border="1"> <tr> <td>SCALE</td> <td>3:16</td> </tr> </table> </td> <td> <table border="1"> <tr> <td>SIZE</td> <td>ARROW</td> </tr> </table> </td> <td> <table border="1"> <tr> <td>DATE</td> <td>17MAR16</td> </tr> </table> </td> <td> <table border="1"> <tr> <td>APVD</td> <td>M JAWALE</td> </tr> </table> </td> <td> <table border="1"> <tr> <td>DATE</td> <td>17MAR16</td> </tr> </table> </td> <td> <table border="1"> <tr> <td>OUTLINE, GENSET</td> </tr> <tr> <td>OPTIONS</td> </tr> </table> </td> </tr> <tr> <td colspan="4"> <table border="1"> <tr> <td>ANG TOL</td> <td>± 1.0°</td> </tr> </table> </td> <td> <table border="1"> <tr> <td>SCALE</td> <td>3:16</td> </tr> </table> </td> <td> <table border="1"> <tr> <td>SIZE</td> <td>ARROW</td> </tr> </table> </td> <td> <table border="1"> <tr> <td>DATE</td> <td>17MAR16</td> </tr> </table> </td> <td> <table border="1"> <tr> <td>APVD</td> <td>M JAWALE</td> </tr> </table> </td> <td> <table border="1"> <tr> <td>DATE</td> <td>17MAR16</td> </tr> </table> </td> <td> <table border="1"> <tr> <td>OUTLINE, GENSET</td> </tr> <tr> <td>OPTIONS</td> </tr> </table> </td> </tr> <tr> <td colspan="4"> <table border="1"> <tr> <td>ANG TOL</td> <td>± 1.0°</td> </tr> </table> </td> <td> <table border="1"> <tr> <td>SCALE</td> <td>3:16</td> </tr> </table> </td> <td> <table border="1"> <tr> <td>SIZE</td> <td>ARROW</td> </tr> </table> </td> <td> <table border="1"> <tr> <td>DATE</td> <td>17MAR16</td> </tr> </table> </td> <td> <table border="1"> <tr> <td>APVD</td> <td>M JAWALE</td> </tr> </table> </td> <td> <table border="1"> <tr> <td>DATE</td> <td>17MAR16</td> </tr> </table> </td> <td> <table border="1"> <tr> <td>OUTLINE, GENSET</td> </tr> <tr> <td>OPTIONS</td> </tr> </table> </td> </tr> <tr> <td colspan="4"> <table border="1"> <tr> <td>ANG TOL</td> <td>± 1.0°</td> </tr> </table> </td> <td> <table border="1"> <tr> <td>SCALE</td> <td>3:16</td> </tr> </table> </td> <td> <table border="1"> <tr> <td>SIZE</td> <td>ARROW</td> </tr> </table> </td> <td> <table border="1"> <tr> <td>DATE</td> <td>17MAR16</td> </tr> </table> </td> <td> <table border="1"> <tr> <td>APVD</td> <td>M JAWALE</td> </tr> </table> </td> <td> <table border="1"> <tr> <td>DATE</td> <td>17MAR16</td> </tr> </table> </td> <td> <table border="1"> <tr> <td>OUTLINE, GENSET</td> </tr> <tr> <td>OPTIONS</td> </tr> </table> </td> </tr> <tr> <td colspan="4"> <table border="1"> <tr> <td>ANG TOL</td> <td>± 1.0°</td> </tr> </table> </td> <td> <table border="1"> <tr> <td>SCALE</td> <td>3:16</td> </tr> </table> </td> <td> <table border="1"> <tr> <td>SIZE</td> <td>ARROW</td> </tr> </table> </td> <td> <table border="1"> <tr> <td>DATE</td> <td>17MAR16</td> </tr> </table> </td> <td> <table border="1"> <tr> <td>APVD</td> <td>M JAWALE</td> </tr> </table> </td> <td> <table border="1"> <tr> <td>DATE</td> <td>17MAR16</td> </tr> </table> </td> <td> <table border="1"> <tr> <td>OUTLINE, GENSET</td> </tr> <tr> <td>OPTIONS</td> </tr> </table> </td> </tr> <tr> <td colspan="4"> <table border="1"> <tr> <td>ANG TOL</td> <td>± 1.0°</td> </tr> </table> </td> <td> <table border="1"> <tr> <td>SCALE</td> <td>3:16</td> </tr> </table> </td> <td> <table border="1"> <tr> <td>SIZE</td> <td>ARROW</td> </tr> </table> </td> <td> <table border="1"> <tr> <td>DATE</td> <td>17MAR16</td> </tr> </table> </td> <td> <table border="1"> <tr> <td>APVD</td> <td>M JAWALE</td> </tr> </table> </td> <td> <table border="1"> <tr> <td>DATE</td> <td>17MAR16</td> </tr> </table> </td> <td> <table border="1"> <tr> <td>OUTLINE, GENSET</td> </tr> <tr> <td>OPTIONS</td> </tr> </table> </td> </tr> <tr> <td colspan="4"> <table border="1"> <tr> <td>ANG TOL</td> <td>± 1.0°</td> </tr> </table> </td> <td> <table border="1"> <tr> <td>SCALE</td> <td>3:16</td> </tr> </table> </td> <td> <table border="1"> <tr> <td>SIZE</td> <td>ARROW</td> </tr> </table> </td> <td> <table border="1"> <tr> <td>DATE</td> <td>17MAR16</td> </tr> </table> </td> <td> <table border="1"> <tr> <td>APVD</td> <td>M JAWALE</td> </tr> </table> </td> <td> <table border="1"> <tr> <td>DATE</td> <td>17MAR16</td> </tr> </table> </td> <td> <table border="1"> <tr> <td>OUTLINE, GENSET</td> </tr> <tr> <td>OPTIONS</td> </tr> </table> </td> </tr> <tr> <td colspan="4"> <table border="1"> <tr> <td>ANG TOL</td> <td>± 1.0°</td> </tr> </table> </td> <td> <table border="1"> <tr> <td>SCALE</td> <td>3:16</td> </tr> </table> </td> <td> <table border="1"> <tr> <td>SIZE</td> <td>ARROW</td> </tr> </table> </td> <td> <table border="1"> <tr> <td>DATE</td> <td>17MAR16</td> </tr> </table> </td> <td> <table border="1"> <tr> <td>APVD</td> <td>M JAWALE</td> </tr> </table> </td> <td> <table border="1"> <tr> <td>DATE</td> <td>17MAR16</td> </tr> </table> </td> <td> <table border="1"> <tr> <td>OUTLINE, GENSET</td> </tr> <tr> <td>OPTIONS</td> </tr> </table> </td> </tr> <tr> <td colspan="4"> <table border="1"> <tr> <td>ANG TOL</td> <td>± 1.0°</td> </tr> </table> </td> <td> <table border="1"> <tr> <td>SCALE</td> <td>3:16</td> </tr> </table> </td> <td> <table border="1"> <tr> <td>SIZE</td> <td>ARROW</td> </tr> </table> </td> <td> <table border="1"> <tr> <td>DATE</td> <td>17MAR16</td> </tr> </table> </td> <td> <table border="1"> <tr> <td>APVD</td> <td>M JAWALE</td> </tr> </table> </td> <td> <table border="1"> <tr> <td>DATE</td> <td>17MAR16</td> </tr> </table> </td> <td> <table border="1"> <tr> <td>OUTLINE, GENSET</td> </tr> <tr> <td>OPTIONS</td> </tr> </table> </td> </tr> <tr> <td colspan="4"> <table border="1"> <tr> <td>ANG TOL</td> <td>± 1.0°</td> </tr> </table> </td> <td> <table border="1"> <tr> <td>SCALE</td> <td>3:16</td> </tr> </table> </td> <td> <table border="1"> <tr> <td>SIZE</td> <td>ARROW</td> </tr> </table> </td> <td> <table border="1"> <tr> <td>DATE</td> <td>17MAR16</td> </tr> </table> </td> <td> <table border="1"> <tr> <td>APVD</td> <td>M JAWALE</td> </tr> </table> </td> <td> <table border="1"> <tr> <td>DATE</td> <td>17MAR16</td> </tr> </table> </td> <td> <table border="1"> <tr> <td>OUTLINE, GENSET</td> </tr> <tr> <td>OPTIONS</td> </tr> </table> </td> </tr> <tr> <td colspan="4"> <table border="1"> <tr> <td>ANG TOL</td> <td>± 1.0°</td> </tr> </table> </td> <td> <table border="1"> <tr> <td>SCALE</td> <td>3:16</td> </tr> </table> </td> <td> <table border="1"> <tr> <td>SIZE</td> <td>ARROW</td> </tr> </table> </td> <td> <table border="1"> <tr> <td>DATE</td> <td>17MAR16</td> </tr> </table> </td> <td> <table border="1"> <tr> <td>APVD</td> <td>M JAWALE</td> </tr> </table> </td> <td> <table border="1"> <tr> <td>DATE</td> <td>17MAR16</td> </tr> </table> </td> <td> <table border="1"> <tr> <td>OUTLINE, GENSET</td> </tr> <tr> <td>OPTIONS</td> </tr> </table> </td> </tr> <tr> <td colspan="4"> <table border="1"> <tr> <td>ANG TOL</td> <td>± 1.0°</td> </tr> </table> </td> <td> <table border="1"> <tr> <td>SCALE</td> <td>3:16</td> </tr> </table> </td> <td> <table border="1"> <tr> <td>SIZE</td> <td>ARROW</td> </tr> </table> </td> <td> <table border="1"> <tr> <td>DATE</td> <td>17MAR16</td> </tr> </table> </td> <td> <table border="1"> <tr> <td>APVD</td> <td>M JAWALE</td> </tr> </table> </td> <td> <table border="1"> <tr> <td>DATE</td> <td>17MAR16</td> </tr> </table> </td> <td> <table border="1"> <tr> <td>OUTLINE, GENSET</td> </tr> <tr> <td>OPTIONS</td> </tr> </table> </td> </tr> <tr> <td colspan="4"> <table border="1"> <tr> <td>ANG TOL</td> <td>± 1.0°</td> </tr> </table> </td> <td> <table border="1"> <tr> <td>SCALE</td> <td>3:16</td> </tr> </table> </td> <td> <table border="1"> <tr> <td>SIZE</td> <td>ARROW</td> </tr> </table> </td> <td> <table border="1"> <tr> <td>DATE</td> <td>17MAR16</td> </tr> </table> </td> <td> <table border="1"> <tr> <td>APVD</td> <td>M JAWALE</td> </tr> </table> </td> <td> <table border="1"> <tr> <td>DATE</td> <td>17MAR16</td> </tr> </table> </td> <td> <table border="1"> <tr> <td>OUTLINE, GENSET</td> </tr> <tr> <td>OPTIONS</td> </tr> </table> </td> </tr> <tr> <td colspan="4"> <table border="1"> <tr> <td>ANG TOL</td> <td>± 1.0°</td> </tr> </table> </td> <td> <table border="1"> <tr> <td>SCALE</td> <td>3:16</td> </tr> </table> </td> <td> <table border="1"> <tr> <td>SIZE</td> <td>ARROW</td> </tr> </table> </td> <td> <table border="1"> <tr> <td>DATE</td> <td>17MAR16</td> </tr> </table> </td> <td> <table border="1"> <tr> <td>APVD</td> <td>M JAWALE</td> </tr> </table> </td> <td> <table border="1"> <tr> <td>DATE</td> <td>17MAR16</td> </tr> </table> </td> <td> <table border="1"> <tr> <td>OUTLINE, GENSET</td> </tr> <tr> <td>OPTIONS</td> </tr> </table> </td> </tr> <tr> <td colspan="4"> <table border="1"> <tr> <td>ANG TOL</td> <td>± 1.0°</td> </tr> </table> </td> <td> <table border="1"> <tr> <td>SCALE</td> <td>3:16</td> </tr> </table> </td> <td> <table border="1"> <tr> <td>SIZE</td> <td>ARROW</td> </tr> </table> </td> <td> <table border="1"> <tr> <td>DATE</td> <td>17MAR16</td> </tr> </table> </td> <td> <table border="1"> <tr> <td>APVD</td> <td>M JAWALE</td> </tr> </table> </td> <td> <table border="1"> <tr> <td>DATE</td> <td>17MAR16</td> </tr> </table> </td> <td> <table border="1"> <tr> <td>OUTLINE, GENSET</td> </tr> <tr> <td>OPTIONS</td> </tr> </table> </td> </tr> <tr> <td colspan="4"> <table border="1"> <tr> <td>ANG TOL</td> <td>± 1.0°</td> </tr> </table> </td> <td> <table border="1"> <tr> <td>SCALE</td> <td>3:16</td> </tr> </table> </td> <td> <table border="1"> <tr> <td>SIZE</td> <td>ARROW</td> </tr> </table> </td> <td> <table border="1"> <tr> <td>DATE</td> <td>17MAR16</td> </tr> </table> </td> <td> <table border="1"> <tr> <td>APVD</td> <td>M JAWALE</td> </tr> </table> </td> <td> <table border="1"> <tr> <td>DATE</td> <td>17MAR16</td> </tr> </table> </td> <td> <table border="1"> <tr> <td>OUTLINE, GENSET</td> </tr> <tr> <td>OPTIONS</td> </tr> </table> </td> </tr> <tr> <td colspan="4"> <table border="1"> <tr> <td>ANG TOL</td> <td>± 1.0°</td> </tr> </table> </td> <td> <table border="1"> <tr> <td>SCALE</td> <td>3:16</td> </tr> </table> </td> <td> <table border="1"> <tr> <td>SIZE</td> <td>ARROW</td> </tr> </table> </td> <td> <table border="1"> <tr> <td>DATE</td> <td>17MAR16</td> </tr> </table> </td> <td> <table border="1"> <tr> <td>APVD</td> <td>M JAWALE</td> </tr> </table> </td> <td> <table border="1"> <tr> <td>DATE</td> <td>17MAR16</td> </tr> </table> </td> <td> <table border="1"> <tr> <td>OUTLINE, GENSET</td> </tr> <tr> <td>OPTIONS</td> </tr> </table> </td> </tr> <tr> <td colspan="4"> <table border="1"> <tr> <td>ANG TOL</td> <td>± 1.0°</td> </tr> </table> </td> <td> <table border="1"> <tr> <td>SCALE</td> <td>3:16</td> </tr> </table> </td> <td> <table border="1"> <tr> <td>SIZE</td> <td>ARROW</td> </tr> </table> </td> <td> <table border="1"> <tr> <td>DATE</td> <td>17MAR16</td> </tr> </table> </td> <td> <table border="1"> <tr> <td>APVD</td> <td>M JAWALE</td> </tr> </table> </td> <td> <table border="1"> <tr> <td>DATE</td> <td>17MAR16</td> </tr> </table> </td> <td> <table border="1"> <tr> <td>OUTLINE, GENSET</td> </tr> <tr> <td>OPTIONS</td> </tr> </table> </td> </tr> <tr> <td colspan="4"> <table border="1"> <tr> <td>ANG TOL</td> <td>± 1.0°</td> </tr> </table> </td> <td> <table border="1"> <tr> <td>SCALE</td> <td>3:16</td> </tr> </table> </td> <td> <table border="1"> <tr> <td>SIZE</td> <td>ARROW</td> </tr> </table> </td> <td> <table border="1"> <tr> <td>DATE</td> <td>17MAR16</td> </tr> </table> </td> <td> <table border="1"> <tr> <td>APVD</td> <td>M JAWALE</td> </tr> </table> </td> <td> <table border="1"> <tr> <td>DATE</td> <td>17MAR16</td> </tr> </table> </td> <td> <table border="1"> <tr> <td>OUTLINE, GENSET</td> </tr> <tr> <td>OPTIONS</td> </tr> </table> </td> </tr> <tr> <td colspan="4"> <table border="1"> <tr> <td>ANG TOL</td> <td>± 1.0°</td> </tr> </table> </td> <td> <table border="1"> <tr> <td>SCALE</td> <td>3:16</td> </tr> </table> </td> <td> <table border="1"> <tr> <td>SIZE</td> <td>ARROW</td> </tr> </table> </td> <td> <table border="1"> <tr> <td>DATE</td> <td>17MAR16</td> </tr> </table> </td> <td> <table border="1"> <tr> <td>APVD</td> <td>M JAWALE</td> </tr> </table> </td> <td> <table border="1"> <tr> <td>DATE</td> <td>17MAR16</td> </tr> </table> </td> <td> <table border="1"> <tr> <td>OUTLINE, GENSET</td> </tr> <tr> <td>OPTIONS</td> </tr> </table> </td> </tr> <tr> <td colspan="4"> <table border="1"> <tr> <td>ANG TOL</td> <td>± 1.0°</td> </tr> </table> </td> <td> <table border="1"> <tr> <td>SCALE</td> <td>3:16</td> </tr> </table> </td> <td> <table border="1"> <tr> <td>SIZE</td> <td>ARROW</td> </tr> </table> </td> <td> <table border="1"> <tr> <td>DATE</td> <td>17MAR16</td> </tr> </table> </td> <td> <table border="1"> <tr> <td>APVD</td> <td>M JAWALE</td> </tr> </table> </td> <td> <table border="1"> <tr> <td>DATE</td> <td>17MAR16</td> </tr> </table> </td> <td> <table border="1"> <tr> <td>OUTLINE, GENSET</td> </tr> <tr> <td>OPTIONS</td> </tr> </table> </td> </tr> <tr> <td colspan="4"> <table border="1"> <tr> <td>ANG TOL</td> <td>± 1.0°</td> </tr> </table> </td> <td> <table border="1"> <tr> <td>SCALE</td> <td>3:16</td> </tr> </table> </td> <td> <table border="1"> <tr> <td>SIZE</td> <td>ARROW</td> </tr> </table> </td> <td> <table border="1"> <tr> <td>DATE</td> <td>17MAR16</td> </tr> </table> </td> <td> <table border="1"> <tr> <td>APVD</td> <td>M JAWALE</td> </tr> </table> </td> <td> <table border="1"> <tr> <td>DATE</td> <td>17MAR16</td> </tr> </table> </td> <td> <table border="1"> <tr> <td>OUTLINE, GENSET</td> </tr> <tr> <td>OPTIONS</td> </tr> </table> </td> </tr> <tr> <td colspan="4"> <table border="1"> <tr> <td>ANG TOL</td> <td>± 1.0°</td> </tr> </table> </td> <td> <table border="1"> <tr> <td>SCALE</td> <td>3:16</td> </tr> </table> </td> <td> <table border="1"> <tr> <td>SIZE</td> <td>ARROW</td> </tr> </table> </td> <td> <table border="1"> <tr> <td>DATE</td> <td>17MAR16</td> </tr> </table> </td> <td> <table border="1"> <tr> <td>APVD</td> <td>M JAWALE</td> </tr> </table> </td> <td> <table border="1"> <tr> <td>DATE</td> <td>17MAR16</td> </tr> </table> </td> <td> <table border="1"> <tr> <td>OUTLINE, GENSET</td> </tr> <tr> <td>OPTIONS</td> </tr> </table> </td> </tr> <tr> <td colspan="4"> <table border="1"> <tr> <td>ANG TOL</td> <td>± 1.0°</td> </tr> </table> </td> <td> <table border="1"> <tr> <td>SCALE</td> <td>3:16</td> </tr> </table> </td> <td> <table border="1"> <tr> <td>SIZE</td> <td>ARROW</td> </tr> </table> </td> <td> <table border="1"> <tr> <td>DATE</td> <td>17MAR16</td> </tr> </table> </td> <td> <table border="1"> <tr> <td>APVD</td> <td>M JAWALE</td> </tr> </table> </td> <td> <table border="1"> <tr> <td>DATE</td> <td>17MAR16</td> </tr> </table> </td> <td> <table border="1"> <tr> <td>OUTLINE, GENSET</td> </tr> <tr> <td>OPTIONS</td> </tr> </table> </td> </tr> <tr> <td colspan="4"> <table border="1"> <tr> <td>ANG TOL</td> <td>± 1.0°</td> </tr> </table> </td> <td> <table border="1"> <tr> <td>SCALE</td> <td>3:16</td> </tr> </table> </td> <td> <table border="1"> <tr> <td>SIZE</td> <td>ARROW</td> </tr> </table> </td> <td> <table border="1"> <tr> <td>DATE</td> <td>17MAR16</td> </tr> </table> </td> <td> <table border="1"> <tr> <td>APVD</td> <td>M JAWALE</td> </tr> </table> </td> <td> <table border="1"> <tr> <td>DATE</td> <td>17MAR16</td> </tr> </table> </td> <td> <table border="1"> <tr> <td>OUTLINE, GENSET</td> </tr> <tr> <td>OPTIONS</td> </tr> </table> </td> </tr> <tr> <td colspan="4"> <table border="1"> <tr> <td>ANG TOL</td> <td>± 1.0°</td> </tr> </table> </td> <td> <table border="1"> <tr> <td>SCALE</td> <td>3:16</td> </tr> </table> </td> <td> <table border="1"> <tr> <td>SIZE</td> <td>ARROW</td> </tr> </table> </td> <td> <table border="1"> <tr> <td>DATE</td> <td>17MAR16</td> </tr> </table> </td> <td> <table border="1"> <tr> <td>APVD</td> <td>M JAWALE</td> </tr> </table> </td> <td> <table border="1"> <tr> <td>DATE</td> <td>17MAR16</td> </tr> </table> </td> <td> <table border="1"> <tr> <td>OUTLINE, GENSET</td> </tr> <tr> <td>OPTIONS</td> </tr> </table> </td> </tr> <tr> <td colspan="4"> <table border="1"> <tr> <td>ANG TOL</td> <td>± 1.0°</td> </tr> </table> </td> <td> <table border="1"> <tr> <td>SCALE</td> <td>3:16</td> </tr> </table> </td> <td> <table border="1"> <tr> <td>SIZE</td> <td>ARROW</td> </tr> </table> </td> <td> <table border="1"> <tr> <td>DATE</td> <td>17MAR16</td> </tr> </table> </td> <td> <table border="1"> <tr> <td>APVD</td> <td>M JAWALE</td> </tr> </table> </td> <td> <table border="1"> <tr> <td>DATE</td> <td>17MAR16</td> </tr> </table> </td> <td> <table border="1"> <tr> <td>OUTLINE, GENSET</td> </tr> <tr> <td>OPTIONS</td> </tr> </table> </td> </tr> <tr> <td colspan="4"> <table border="1"> <tr> <td>ANG TOL</td> <td>± 1.0°</td> </tr> </table> </td> <td> <table border="1"> <tr> <td>SCALE</td> <td>3:16</td> </tr> </table> </td> <td> <table border="1"> <tr> <td>SIZE</td> <td>ARROW</td> </tr> </table> </td> <td> <table border="1"> <tr> <td>DATE</td> <td>17MAR16</td> </tr> </table> </td> <td> <table border="1"> <tr> <td>APVD</td> <td>M JAWALE</td> </tr> </table> </td> <td> <table border="1"> <tr> <td>DATE</td> <td>17MAR16</td> </tr> </table> </td> <td> <table border="1"> <tr> <td>OUTLINE, GENSET</td> </tr> <tr> <td>OPTIONS</td> </tr> </table> </td> </tr> <tr> <td colspan="4"> <table border="1"> <tr> <td>ANG TOL</td> <td>± 1.0°</td> </tr> </table> </td> <td> <table border="1"> <tr> <td>SCALE</td> <td>3:16</td> </tr> </table> </td> <td> <table border="1"> <tr> <td>SIZE</td> <td>ARROW</td> </tr> </table> </td> <td> <table border="1"> <tr> <td>DATE</td> <td>17MAR16</td> </tr> </table> </td> <td> <table border="1"> <tr> <td>APVD</td> <td>M JAWALE</td> </tr> </table> </td> <td> <table border="1"> <tr> <td>DATE</td> <td>17MAR16</td> </tr> </table> </td> <td> <table border="1"> <tr> <td>OUTLINE, GENSET</td> </tr> <tr> <td>OPTIONS</td> </tr> </table> </td> </tr> <tr> <td colspan="4"> <table border="1"> <tr> <td>ANG TOL</td> <td>± 1.0°</td> </tr> </table> </td> <td> <table border="1"> <tr> <td>SCALE</td> <td>3:16</td> </tr> </table> </td> <td> <table border="1"> <tr> <td>SIZE</td> <td>ARROW</td> </tr> </table> </td> <td> <table border="1"> <tr> <td>DATE</td> <td>17MAR16</td> </tr> </table> </td> <td> <table border="1"> <tr> <td>APVD</td> <td>M JAWALE</td> </tr> </table> </td> <td> <table border="1"> <tr> <td>DATE</td> <td>17MAR16</td> </tr> </table> </td> <td> <table border="1"> <tr> <td>OUTLINE, GENSET</td> </tr> <tr> <td>OPTIONS</td> </tr> </table> </td> </tr> <tr> <td colspan="4"> <table border="1"> <tr> <td>ANG TOL</td> <td>± 1.0°</td> </tr> </table> </td> <td> <table border="1"> <tr> <td>SCALE</td> <td>3:16</td> </tr> </table> </td> <td> <table border="1"> <tr> <td>SIZE</td> <td>ARROW</td> </tr> </table> </td> <td> <table border="1"> <tr> <td>DATE</td> <td>17MAR16</td> </tr> </table> </td> <td> <table border="1"> <tr> <td>APVD</td> <td>M JAWALE</td> </tr> </table> </td> <td> <table border="1"> <tr> <td>DATE</td> <td>17MAR16</td> </tr> </table> </td> <td> <table border="1"> <tr> <td>OUTLINE, GENSET</td> </tr> <tr> <td>OPTIONS</td> </tr> </table> </td> </tr> <tr> <td colspan="4"> <table border="1"> <tr> <td>ANG TOL</td> <td>± 1.0°</td> </tr> </table> </td> <td> <table border="1"> <tr> <td>SCALE</td> <td>3:16</td> </tr> </table> </td> <td> <table border="1"> <tr> <td>SIZE</td> <td>ARROW</td> </tr> </table> </td> <td> <table border="1"> <tr> <td>DATE</td> <td>17MAR16</td> </tr> </table> </td> <td> <table border="1"> <tr> <td>APVD</td> <td>M JAWALE</td> </tr> </table> </td> <td> <table border="1"> <tr> <td>DATE</td> <td>17MAR16</td> </tr> </table> </td> <td> <table border="1"> <tr> <td>OUTLINE, GENSET</td> </tr> <tr> <td>OPTIONS</td> </tr> </table> </td> </tr> <tr> <td colspan="4"> <table border="1"></table></td></tr></table>	ANG TOL	SCALE	THIS DOCUMENT AND THE INFORMATION SHOWN THEREON IS CONFIDENTIAL AND PROPRIETARY AND SHALL NOT BE DISCLOSED TO OTHERS IN HARD COPY OR ELECTRONIC FORM, REPRODUCED BY ANY MEANS, OR USED FOR ANY PURPOSE WITHOUT WRITTEN CONSENT OF CUMMINS INC.		<table border="1"> <tr> <td>DATE</td> <td>17MAR16</td> </tr> </table>	DATE	17MAR16	<table border="1"> <tr> <td>APVD</td> <td>M JAWALE</td> </tr> </table>	APVD	M JAWALE	<table border="1"> <tr> <td>DATE</td> <td>17MAR16</td> </tr> </table>	DATE	17MAR16	<table border="1"> <tr> <td>OUTLINE, GENSET</td> </tr> <tr> <td>OPTIONS</td> </tr> </table>	OUTLINE, GENSET	OPTIONS	<table border="1"> <tr> <td>ANG TOL</td> <td>± 1.0°</td> </tr> </table>	ANG TOL	± 1.0°	<table border="1"> <tr> <td>SCALE</td> <td>3:16</td> </tr> </table>	SCALE	3:16	<table border="1"> <tr> <td>SIZE</td> <td>ARROW</td> </tr> </table>	SIZE	ARROW	<table border="1"> <tr> <td>DATE</td> <td>17MAR16</td> </tr> </table>	DATE	17MAR16	<table border="1"> <tr> <td>APVD</td> <td>M JAWALE</td> </tr> </table>	APVD	M JAWALE	<table border="1"> <tr> <td>DATE</td> <td>17MAR16</td> </tr> </table>	DATE	17MAR16	<table border="1"> <tr> <td>OUTLINE, GENSET</td> </tr> <tr> <td>OPTIONS</td> </tr> </table>	OUTLINE, GENSET	OPTIONS	<table border="1"> <tr> <td>ANG TOL</td> <td>± 1.0°</td> </tr> </table>				ANG TOL	± 1.0°	<table border="1"> <tr> <td>SCALE</td> <td>3:16</td> </tr> </table>	SCALE	3:16	<table border="1"> <tr> <td>SIZE</td> <td>ARROW</td> </tr> </table>	SIZE	ARROW	<table border="1"> <tr> <td>DATE</td> <td>17MAR16</td> </tr> </table>	DATE	17MAR16	<table border="1"> <tr> <td>APVD</td> <td>M JAWALE</td> </tr> </table>	APVD	M JAWALE	<table border="1"> <tr> <td>DATE</td> <td>17MAR16</td> </tr> </table>	DATE	17MAR16	<table border="1"> <tr> <td>OUTLINE, GENSET</td> </tr> <tr> <td>OPTIONS</td> </tr> </table>	OUTLINE, GENSET	OPTIONS	<table border="1"> <tr> <td>ANG TOL</td> <td>± 1.0°</td> </tr> </table>				ANG TOL	± 1.0°	<table border="1"> <tr> <td>SCALE</td> <td>3:16</td> </tr> </table>	SCALE	3:16	<table border="1"> <tr> <td>SIZE</td> <td>ARROW</td> </tr> </table>	SIZE	ARROW	<table border="1"> <tr> <td>DATE</td> <td>17MAR16</td> </tr> </table>	DATE	17MAR16	<table border="1"> <tr> <td>APVD</td> <td>M JAWALE</td> </tr> </table>	APVD	M JAWALE	<table border="1"> <tr> <td>DATE</td> <td>17MAR16</td> </tr> </table>	DATE	17MAR16	<table border="1"> <tr> <td>OUTLINE, GENSET</td> </tr> <tr> <td>OPTIONS</td> </tr> </table>	OUTLINE, GENSET	OPTIONS	<table border="1"> <tr> <td>ANG TOL</td> <td>± 1.0°</td> </tr> </table>				ANG TOL	± 1.0°	<table border="1"> <tr> <td>SCALE</td> <td>3:16</td> </tr> </table>	SCALE	3:16	<table border="1"> <tr> <td>SIZE</td> <td>ARROW</td> </tr> </table>	SIZE	ARROW	<table border="1"> <tr> <td>DATE</td> <td>17MAR16</td> </tr> </table>	DATE	17MAR16	<table border="1"> <tr> <td>APVD</td> <td>M JAWALE</td> </tr> </table>	APVD	M JAWALE	<table border="1"> <tr> <td>DATE</td> <td>17MAR16</td> </tr> </table>	DATE	17MAR16	<table border="1"> <tr> <td>OUTLINE, GENSET</td> </tr> <tr> <td>OPTIONS</td> </tr> </table>	OUTLINE, GENSET	OPTIONS	<table border="1"> <tr> <td>ANG TOL</td> <td>± 1.0°</td> </tr> </table>				ANG TOL	± 1.0°	<table border="1"> <tr> <td>SCALE</td> <td>3:16</td> </tr> </table>	SCALE	3:16	<table border="1"> <tr> <td>SIZE</td> <td>ARROW</td> </tr> </table>	SIZE	ARROW	<table border="1"> <tr> <td>DATE</td> <td>17MAR16</td> </tr> </table>	DATE	17MAR16	<table border="1"> <tr> <td>APVD</td> <td>M JAWALE</td> </tr> </table>	APVD	M JAWALE	<table border="1"> <tr> <td>DATE</td> <td>17MAR16</td> </tr> </table>	DATE	17MAR16	<table border="1"> <tr> <td>OUTLINE, GENSET</td> </tr> <tr> <td>OPTIONS</td> </tr> </table>	OUTLINE, GENSET	OPTIONS	<table border="1"> <tr> <td>ANG TOL</td> <td>± 1.0°</td> </tr> </table>				ANG TOL	± 1.0°	<table border="1"> <tr> <td>SCALE</td> <td>3:16</td> </tr> </table>	SCALE	3:16	<table border="1"> <tr> <td>SIZE</td> <td>ARROW</td> </tr> </table>	SIZE	ARROW	<table border="1"> <tr> <td>DATE</td> <td>17MAR16</td> </tr> </table>	DATE	17MAR16	<table border="1"> <tr> <td>APVD</td> <td>M JAWALE</td> </tr> </table>	APVD	M JAWALE	<table border="1"> <tr> <td>DATE</td> <td>17MAR16</td> </tr> </table>	DATE	17MAR16	<table border="1"> <tr> <td>OUTLINE, GENSET</td> </tr> <tr> <td>OPTIONS</td> </tr> </table>	OUTLINE, GENSET	OPTIONS	<table border="1"> <tr> <td>ANG TOL</td> <td>± 1.0°</td> </tr> </table>				ANG TOL	± 1.0°	<table border="1"> <tr> <td>SCALE</td> <td>3:16</td> </tr> </table>	SCALE	3:16	<table border="1"> <tr> <td>SIZE</td> <td>ARROW</td> </tr> </table>	SIZE	ARROW	<table border="1"> <tr> <td>DATE</td> <td>17MAR16</td> </tr> </table>	DATE	17MAR16	<table border="1"> <tr> <td>APVD</td> <td>M JAWALE</td> </tr> </table>	APVD	M JAWALE	<table border="1"> <tr> <td>DATE</td> <td>17MAR16</td> </tr> </table>	DATE	17MAR16	<table border="1"> <tr> <td>OUTLINE, GENSET</td> </tr> <tr> <td>OPTIONS</td> </tr> </table>	OUTLINE, GENSET	OPTIONS	<table border="1"> <tr> <td>ANG TOL</td> <td>± 1.0°</td> </tr> </table>				ANG TOL	± 1.0°	<table border="1"> <tr> <td>SCALE</td> <td>3:16</td> </tr> </table>	SCALE	3:16	<table border="1"> <tr> <td>SIZE</td> <td>ARROW</td> </tr> </table>	SIZE	ARROW	<table border="1"> <tr> <td>DATE</td> <td>17MAR16</td> </tr> </table>	DATE	17MAR16	<table border="1"> <tr> <td>APVD</td> <td>M JAWALE</td> </tr> </table>	APVD	M JAWALE	<table border="1"> <tr> <td>DATE</td> <td>17MAR16</td> </tr> </table>	DATE	17MAR16	<table border="1"> <tr> <td>OUTLINE, GENSET</td> </tr> <tr> <td>OPTIONS</td> </tr> </table>	OUTLINE, GENSET	OPTIONS	<table border="1"> <tr> <td>ANG TOL</td> <td>± 1.0°</td> </tr> </table>				ANG TOL	± 1.0°	<table border="1"> <tr> <td>SCALE</td> <td>3:16</td> </tr> </table>	SCALE	3:16	<table border="1"> <tr> <td>SIZE</td> <td>ARROW</td> </tr> </table>	SIZE	ARROW	<table border="1"> <tr> <td>DATE</td> <td>17MAR16</td> </tr> </table>	DATE	17MAR16	<table border="1"> <tr> <td>APVD</td> <td>M JAWALE</td> </tr> </table>	APVD	M JAWALE	<table border="1"> <tr> <td>DATE</td> <td>17MAR16</td> </tr> </table>	DATE	17MAR16	<table border="1"> <tr> <td>OUTLINE, GENSET</td> </tr> <tr> <td>OPTIONS</td> </tr> </table>	OUTLINE, GENSET	OPTIONS	<table border="1"> <tr> <td>ANG TOL</td> <td>± 1.0°</td> </tr> </table>				ANG TOL	± 1.0°	<table border="1"> <tr> <td>SCALE</td> <td>3:16</td> </tr> </table>	SCALE	3:16	<table border="1"> <tr> <td>SIZE</td> <td>ARROW</td> </tr> </table>	SIZE	ARROW	<table border="1"> <tr> <td>DATE</td> <td>17MAR16</td> </tr> </table>	DATE	17MAR16	<table border="1"> <tr> <td>APVD</td> <td>M JAWALE</td> </tr> </table>	APVD	M JAWALE	<table border="1"> <tr> <td>DATE</td> <td>17MAR16</td> </tr> </table>	DATE	17MAR16	<table border="1"> <tr> <td>OUTLINE, GENSET</td> </tr> <tr> <td>OPTIONS</td> </tr> </table>	OUTLINE, GENSET	OPTIONS	<table border="1"> <tr> <td>ANG TOL</td> <td>± 1.0°</td> </tr> </table>				ANG TOL	± 1.0°	<table border="1"> <tr> <td>SCALE</td> <td>3:16</td> </tr> </table>	SCALE	3:16	<table border="1"> <tr> <td>SIZE</td> <td>ARROW</td> </tr> </table>	SIZE	ARROW	<table border="1"> <tr> <td>DATE</td> <td>17MAR16</td> </tr> </table>	DATE	17MAR16	<table border="1"> <tr> <td>APVD</td> <td>M JAWALE</td> </tr> </table>	APVD	M JAWALE	<table border="1"> <tr> <td>DATE</td> <td>17MAR16</td> </tr> </table>	DATE	17MAR16	<table border="1"> <tr> <td>OUTLINE, GENSET</td> </tr> <tr> <td>OPTIONS</td> </tr> </table>	OUTLINE, GENSET	OPTIONS	<table border="1"> <tr> <td>ANG TOL</td> <td>± 1.0°</td> </tr> </table>				ANG TOL	± 1.0°	<table border="1"> <tr> <td>SCALE</td> <td>3:16</td> </tr> </table>	SCALE	3:16	<table border="1"> <tr> <td>SIZE</td> <td>ARROW</td> </tr> </table>	SIZE	ARROW	<table border="1"> <tr> <td>DATE</td> <td>17MAR16</td> </tr> </table>	DATE	17MAR16	<table border="1"> <tr> <td>APVD</td> <td>M JAWALE</td> </tr> </table>	APVD	M JAWALE	<table border="1"> <tr> <td>DATE</td> <td>17MAR16</td> </tr> </table>	DATE	17MAR16	<table border="1"> <tr> <td>OUTLINE, GENSET</td> </tr> <tr> <td>OPTIONS</td> </tr> </table>	OUTLINE, GENSET	OPTIONS	<table border="1"> <tr> <td>ANG TOL</td> <td>± 1.0°</td> </tr> </table>				ANG TOL	± 1.0°	<table border="1"> <tr> <td>SCALE</td> <td>3:16</td> </tr> </table>	SCALE	3:16	<table border="1"> <tr> <td>SIZE</td> <td>ARROW</td> </tr> </table>	SIZE	ARROW	<table border="1"> <tr> <td>DATE</td> <td>17MAR16</td> </tr> </table>	DATE	17MAR16	<table border="1"> <tr> <td>APVD</td> <td>M JAWALE</td> </tr> </table>	APVD	M JAWALE	<table border="1"> <tr> <td>DATE</td> <td>17MAR16</td> </tr> </table>	DATE	17MAR16	<table border="1"> <tr> <td>OUTLINE, GENSET</td> </tr> <tr> <td>OPTIONS</td> </tr> </table>	OUTLINE, GENSET	OPTIONS	<table border="1"> <tr> <td>ANG TOL</td> <td>± 1.0°</td> </tr> </table>				ANG TOL	± 1.0°	<table border="1"> <tr> <td>SCALE</td> <td>3:16</td> </tr> </table>	SCALE	3:16	<table border="1"> <tr> <td>SIZE</td> <td>ARROW</td> </tr> </table>	SIZE	ARROW	<table border="1"> <tr> <td>DATE</td> <td>17MAR16</td> </tr> </table>	DATE	17MAR16	<table border="1"> <tr> <td>APVD</td> <td>M JAWALE</td> </tr> </table>	APVD	M JAWALE	<table border="1"> <tr> <td>DATE</td> <td>17MAR16</td> </tr> </table>	DATE	17MAR16	<table border="1"> <tr> <td>OUTLINE, GENSET</td> </tr> <tr> <td>OPTIONS</td> </tr> </table>	OUTLINE, GENSET	OPTIONS	<table border="1"> <tr> <td>ANG TOL</td> <td>± 1.0°</td> </tr> </table>				ANG TOL	± 1.0°	<table border="1"> <tr> <td>SCALE</td> <td>3:16</td> </tr> </table>	SCALE	3:16	<table border="1"> <tr> <td>SIZE</td> <td>ARROW</td> </tr> </table>	SIZE	ARROW	<table border="1"> <tr> <td>DATE</td> <td>17MAR16</td> </tr> </table>	DATE	17MAR16	<table border="1"> <tr> <td>APVD</td> <td>M JAWALE</td> </tr> </table>	APVD	M JAWALE	<table border="1"> <tr> <td>DATE</td> <td>17MAR16</td> </tr> </table>	DATE	17MAR16	<table border="1"> <tr> <td>OUTLINE, GENSET</td> </tr> <tr> <td>OPTIONS</td> </tr> </table>	OUTLINE, GENSET	OPTIONS	<table border="1"> <tr> <td>ANG TOL</td> <td>± 1.0°</td> </tr> </table>				ANG TOL	± 1.0°	<table border="1"> <tr> <td>SCALE</td> <td>3:16</td> </tr> </table>	SCALE	3:16	<table border="1"> <tr> <td>SIZE</td> <td>ARROW</td> </tr> </table>	SIZE	ARROW	<table border="1"> <tr> <td>DATE</td> <td>17MAR16</td> </tr> </table>	DATE	17MAR16	<table border="1"> <tr> <td>APVD</td> <td>M JAWALE</td> </tr> </table>	APVD	M JAWALE	<table border="1"> <tr> <td>DATE</td> <td>17MAR16</td> </tr> </table>	DATE	17MAR16	<table border="1"> <tr> <td>OUTLINE, GENSET</td> </tr> <tr> <td>OPTIONS</td> </tr> </table>	OUTLINE, GENSET	OPTIONS	<table border="1"> <tr> <td>ANG TOL</td> <td>± 1.0°</td> </tr> </table>				ANG TOL	± 1.0°	<table border="1"> <tr> <td>SCALE</td> <td>3:16</td> </tr> </table>	SCALE	3:16	<table border="1"> <tr> <td>SIZE</td> <td>ARROW</td> </tr> </table>	SIZE	ARROW	<table border="1"> <tr> <td>DATE</td> <td>17MAR16</td> </tr> </table>	DATE	17MAR16	<table border="1"> <tr> <td>APVD</td> <td>M JAWALE</td> </tr> </table>	APVD	M JAWALE	<table border="1"> <tr> <td>DATE</td> <td>17MAR16</td> </tr> </table>	DATE	17MAR16	<table border="1"> <tr> <td>OUTLINE, GENSET</td> </tr> <tr> <td>OPTIONS</td> </tr> </table>	OUTLINE, GENSET	OPTIONS	<table border="1"> <tr> <td>ANG TOL</td> <td>± 1.0°</td> </tr> </table>				ANG TOL	± 1.0°	<table border="1"> <tr> <td>SCALE</td> <td>3:16</td> </tr> </table>	SCALE	3:16	<table border="1"> <tr> <td>SIZE</td> <td>ARROW</td> </tr> </table>	SIZE	ARROW	<table border="1"> <tr> <td>DATE</td> <td>17MAR16</td> </tr> </table>	DATE	17MAR16	<table border="1"> <tr> <td>APVD</td> <td>M JAWALE</td> </tr> </table>	APVD	M JAWALE	<table border="1"> <tr> <td>DATE</td> <td>17MAR16</td> </tr> </table>	DATE	17MAR16	<table border="1"> <tr> <td>OUTLINE, GENSET</td> </tr> <tr> <td>OPTIONS</td> </tr> </table>	OUTLINE, GENSET	OPTIONS	<table border="1"> <tr> <td>ANG TOL</td> <td>± 1.0°</td> </tr> </table>				ANG TOL	± 1.0°	<table border="1"> <tr> <td>SCALE</td> <td>3:16</td> </tr> </table>	SCALE	3:16	<table border="1"> <tr> <td>SIZE</td> <td>ARROW</td> </tr> </table>	SIZE	ARROW	<table border="1"> <tr> <td>DATE</td> <td>17MAR16</td> </tr> </table>	DATE	17MAR16	<table border="1"> <tr> <td>APVD</td> <td>M JAWALE</td> </tr> </table>	APVD	M JAWALE	<table border="1"> <tr> <td>DATE</td> <td>17MAR16</td> </tr> </table>	DATE	17MAR16	<table border="1"> <tr> <td>OUTLINE, GENSET</td> </tr> <tr> <td>OPTIONS</td> </tr> </table>	OUTLINE, GENSET	OPTIONS	<table border="1"> <tr> <td>ANG TOL</td> <td>± 1.0°</td> </tr> </table>				ANG TOL	± 1.0°	<table border="1"> <tr> <td>SCALE</td> <td>3:16</td> </tr> </table>	SCALE	3:16	<table border="1"> <tr> <td>SIZE</td> <td>ARROW</td> </tr> </table>	SIZE	ARROW	<table border="1"> <tr> <td>DATE</td> <td>17MAR16</td> </tr> </table>	DATE	17MAR16	<table border="1"> <tr> <td>APVD</td> <td>M JAWALE</td> </tr> </table>	APVD	M JAWALE	<table border="1"> <tr> <td>DATE</td> <td>17MAR16</td> </tr> </table>	DATE	17MAR16	<table border="1"> <tr> <td>OUTLINE, GENSET</td> </tr> <tr> <td>OPTIONS</td> </tr> </table>	OUTLINE, GENSET	OPTIONS	<table border="1"> <tr> <td>ANG TOL</td> <td>± 1.0°</td> </tr> </table>				ANG TOL	± 1.0°	<table border="1"> <tr> <td>SCALE</td> <td>3:16</td> </tr> </table>	SCALE	3:16	<table border="1"> <tr> <td>SIZE</td> <td>ARROW</td> </tr> </table>	SIZE	ARROW	<table border="1"> <tr> <td>DATE</td> <td>17MAR16</td> </tr> </table>	DATE	17MAR16	<table border="1"> <tr> <td>APVD</td> <td>M JAWALE</td> </tr> </table>	APVD	M JAWALE	<table border="1"> <tr> <td>DATE</td> <td>17MAR16</td> </tr> </table>	DATE	17MAR16	<table border="1"> <tr> <td>OUTLINE, GENSET</td> </tr> <tr> <td>OPTIONS</td> </tr> </table>	OUTLINE, GENSET	OPTIONS	<table border="1"> <tr> <td>ANG TOL</td> <td>± 1.0°</td> </tr> </table>				ANG TOL	± 1.0°	<table border="1"> <tr> <td>SCALE</td> <td>3:16</td> </tr> </table>	SCALE	3:16	<table border="1"> <tr> <td>SIZE</td> <td>ARROW</td> </tr> </table>	SIZE	ARROW	<table border="1"> <tr> <td>DATE</td> <td>17MAR16</td> </tr> </table>	DATE	17MAR16	<table border="1"> <tr> <td>APVD</td> <td>M JAWALE</td> </tr> </table>	APVD	M JAWALE	<table border="1"> <tr> <td>DATE</td> <td>17MAR16</td> </tr> </table>	DATE	17MAR16	<table border="1"> <tr> <td>OUTLINE, GENSET</td> </tr> <tr> <td>OPTIONS</td> </tr> </table>	OUTLINE, GENSET	OPTIONS	<table border="1"> <tr> <td>ANG TOL</td> <td>± 1.0°</td> </tr> </table>				ANG TOL	± 1.0°	<table border="1"> <tr> <td>SCALE</td> <td>3:16</td> </tr> </table>	SCALE	3:16	<table border="1"> <tr> <td>SIZE</td> <td>ARROW</td> </tr> </table>	SIZE	ARROW	<table border="1"> <tr> <td>DATE</td> <td>17MAR16</td> </tr> </table>	DATE	17MAR16	<table border="1"> <tr> <td>APVD</td> <td>M JAWALE</td> </tr> </table>	APVD	M JAWALE	<table border="1"> <tr> <td>DATE</td> <td>17MAR16</td> </tr> </table>	DATE	17MAR16	<table border="1"> <tr> <td>OUTLINE, GENSET</td> </tr> <tr> <td>OPTIONS</td> </tr> </table>	OUTLINE, GENSET	OPTIONS	<table border="1"> <tr> <td>ANG TOL</td> <td>± 1.0°</td> </tr> </table>				ANG TOL	± 1.0°	<table border="1"> <tr> <td>SCALE</td> <td>3:16</td> </tr> </table>	SCALE	3:16	<table border="1"> <tr> <td>SIZE</td> <td>ARROW</td> </tr> </table>	SIZE	ARROW	<table border="1"> <tr> <td>DATE</td> <td>17MAR16</td> </tr> </table>	DATE	17MAR16	<table border="1"> <tr> <td>APVD</td> <td>M JAWALE</td> </tr> </table>	APVD	M JAWALE	<table border="1"> <tr> <td>DATE</td> <td>17MAR16</td> </tr> </table>	DATE	17MAR16	<table border="1"> <tr> <td>OUTLINE, GENSET</td> </tr> <tr> <td>OPTIONS</td> </tr> </table>	OUTLINE, GENSET	OPTIONS	<table border="1"> <tr> <td>ANG TOL</td> <td>± 1.0°</td> </tr> </table>				ANG TOL	± 1.0°	<table border="1"> <tr> <td>SCALE</td> <td>3:16</td> </tr> </table>	SCALE	3:16	<table border="1"> <tr> <td>SIZE</td> <td>ARROW</td> </tr> </table>	SIZE	ARROW	<table border="1"> <tr> <td>DATE</td> <td>17MAR16</td> </tr> </table>	DATE	17MAR16	<table border="1"> <tr> <td>APVD</td> <td>M JAWALE</td> </tr> </table>	APVD	M JAWALE	<table border="1"> <tr> <td>DATE</td> <td>17MAR16</td> </tr> </table>	DATE	17MAR16	<table border="1"> <tr> <td>OUTLINE, GENSET</td> </tr> <tr> <td>OPTIONS</td> </tr> </table>	OUTLINE, GENSET	OPTIONS	<table border="1"> <tr> <td>ANG TOL</td> <td>± 1.0°</td> </tr> </table>				ANG TOL	± 1.0°	<table border="1"> <tr> <td>SCALE</td> <td>3:16</td> </tr> </table>	SCALE	3:16	<table border="1"> <tr> <td>SIZE</td> <td>ARROW</td> </tr> </table>	SIZE	ARROW	<table border="1"> <tr> <td>DATE</td> <td>17MAR16</td> </tr> </table>	DATE	17MAR16	<table border="1"> <tr> <td>APVD</td> <td>M JAWALE</td> </tr> </table>	APVD	M JAWALE	<table border="1"> <tr> <td>DATE</td> <td>17MAR16</td> </tr> </table>	DATE	17MAR16	<table border="1"> <tr> <td>OUTLINE, GENSET</td> </tr> <tr> <td>OPTIONS</td> </tr> </table>	OUTLINE, GENSET	OPTIONS	<table border="1"> <tr> <td>ANG TOL</td> <td>± 1.0°</td> </tr> </table>				ANG TOL	± 1.0°	<table border="1"> <tr> <td>SCALE</td> <td>3:16</td> </tr> </table>	SCALE	3:16	<table border="1"> <tr> <td>SIZE</td> <td>ARROW</td> </tr> </table>	SIZE	ARROW	<table border="1"> <tr> <td>DATE</td> <td>17MAR16</td> </tr> </table>	DATE	17MAR16	<table border="1"> <tr> <td>APVD</td> <td>M JAWALE</td> </tr> </table>	APVD	M JAWALE	<table border="1"> <tr> <td>DATE</td> <td>17MAR16</td> </tr> </table>	DATE	17MAR16	<table border="1"> <tr> <td>OUTLINE, GENSET</td> </tr> <tr> <td>OPTIONS</td> </tr> </table>	OUTLINE, GENSET	OPTIONS	<table border="1"> <tr> <td>ANG TOL</td> <td>± 1.0°</td> </tr> </table>				ANG TOL	± 1.0°	<table border="1"> <tr> <td>SCALE</td> <td>3:16</td> </tr> </table>	SCALE	3:16	<table border="1"> <tr> <td>SIZE</td> <td>ARROW</td> </tr> </table>	SIZE	ARROW	<table border="1"> <tr> <td>DATE</td> <td>17MAR16</td> </tr> </table>	DATE	17MAR16	<table border="1"> <tr> <td>APVD</td> <td>M JAWALE</td> </tr> </table>	APVD	M JAWALE	<table border="1"> <tr> <td>DATE</td> <td>17MAR16</td> </tr> </table>	DATE	17MAR16	<table border="1"> <tr> <td>OUTLINE, GENSET</td> </tr> <tr> <td>OPTIONS</td> </tr> </table>	OUTLINE, GENSET	OPTIONS	<table border="1"> <tr> <td>ANG TOL</td> <td>± 1.0°</td> </tr> </table>				ANG TOL	± 1.0°	<table border="1"> <tr> <td>SCALE</td> <td>3:16</td> </tr> </table>	SCALE	3:16	<table border="1"> <tr> <td>SIZE</td> <td>ARROW</td> </tr> </table>	SIZE	ARROW	<table border="1"> <tr> <td>DATE</td> <td>17MAR16</td> </tr> </table>	DATE	17MAR16	<table border="1"> <tr> <td>APVD</td> <td>M JAWALE</td> </tr> </table>	APVD	M JAWALE	<table border="1"> <tr> <td>DATE</td> <td>17MAR16</td> </tr> </table>	DATE	17MAR16	<table border="1"> <tr> <td>OUTLINE, GENSET</td> </tr> <tr> <td>OPTIONS</td> </tr> </table>	OUTLINE, GENSET	OPTIONS	<table border="1"> <tr> <td>ANG TOL</td> <td>± 1.0°</td> </tr> </table>				ANG TOL	± 1.0°	<table border="1"> <tr> <td>SCALE</td> <td>3:16</td> </tr> </table>	SCALE	3:16	<table border="1"> <tr> <td>SIZE</td> <td>ARROW</td> </tr> </table>	SIZE	ARROW	<table border="1"> <tr> <td>DATE</td> <td>17MAR16</td> </tr> </table>	DATE	17MAR16	<table border="1"> <tr> <td>APVD</td> <td>M JAWALE</td> </tr> </table>	APVD	M JAWALE	<table border="1"> <tr> <td>DATE</td> <td>17MAR16</td> </tr> </table>	DATE	17MAR16	<table border="1"> <tr> <td>OUTLINE, GENSET</td> </tr> <tr> <td>OPTIONS</td> </tr> </table>	OUTLINE, GENSET	OPTIONS	<table border="1"> <tr> <td>ANG TOL</td> <td>± 1.0°</td> </tr> </table>				ANG TOL	± 1.0°	<table border="1"> <tr> <td>SCALE</td> <td>3:16</td> </tr> </table>	SCALE	3:16	<table border="1"> <tr> <td>SIZE</td> <td>ARROW</td> </tr> </table>	SIZE	ARROW	<table border="1"> <tr> <td>DATE</td> <td>17MAR16</td> </tr> </table>	DATE	17MAR16	<table border="1"> <tr> <td>APVD</td> <td>M JAWALE</td> </tr> </table>	APVD	M JAWALE	<table border="1"> <tr> <td>DATE</td> <td>17MAR16</td> </tr> </table>	DATE	17MAR16	<table border="1"> <tr> <td>OUTLINE, GENSET</td> </tr> <tr> <td>OPTIONS</td> </tr> </table>	OUTLINE, GENSET	OPTIONS	<table border="1"> <tr> <td>ANG TOL</td> <td>± 1.0°</td> </tr> </table>				ANG TOL	± 1.0°	<table border="1"> <tr> <td>SCALE</td> <td>3:16</td> </tr> </table>	SCALE	3:16	<table border="1"> <tr> <td>SIZE</td> <td>ARROW</td> </tr> </table>	SIZE	ARROW	<table border="1"> <tr> <td>DATE</td> <td>17MAR16</td> </tr> </table>	DATE	17MAR16	<table border="1"> <tr> <td>APVD</td> <td>M JAWALE</td> </tr> </table>	APVD	M JAWALE	<table border="1"> <tr> <td>DATE</td> <td>17MAR16</td> </tr> </table>	DATE	17MAR16	<table border="1"> <tr> <td>OUTLINE, GENSET</td> </tr> <tr> <td>OPTIONS</td> </tr> </table>	OUTLINE, GENSET	OPTIONS	<table border="1"> <tr> <td>ANG TOL</td> <td>± 1.0°</td> </tr> </table>				ANG TOL	± 1.0°	<table border="1"> <tr> <td>SCALE</td> <td>3:16</td> </tr> </table>	SCALE	3:16	<table border="1"> <tr> <td>SIZE</td> <td>ARROW</td> </tr> </table>	SIZE	ARROW	<table border="1"> <tr> <td>DATE</td> <td>17MAR16</td> </tr> </table>	DATE	17MAR16	<table border="1"> <tr> <td>APVD</td> <td>M JAWALE</td> </tr> </table>	APVD	M JAWALE	<table border="1"> <tr> <td>DATE</td> <td>17MAR16</td> </tr> </table>	DATE	17MAR16	<table border="1"> <tr> <td>OUTLINE, GENSET</td> </tr> <tr> <td>OPTIONS</td> </tr> </table>	OUTLINE, GENSET	OPTIONS	<table border="1"> <tr> <td>ANG TOL</td> <td>± 1.0°</td> </tr> </table>				ANG TOL	± 1.0°	<table border="1"> <tr> <td>SCALE</td> <td>3:16</td> </tr> </table>	SCALE	3:16	<table border="1"> <tr> <td>SIZE</td> <td>ARROW</td> </tr> </table>	SIZE	ARROW	<table border="1"> <tr> <td>DATE</td> <td>17MAR16</td> </tr> </table>	DATE	17MAR16	<table border="1"> <tr> <td>APVD</td> <td>M JAWALE</td> </tr> </table>	APVD	M JAWALE	<table border="1"> <tr> <td>DATE</td> <td>17MAR16</td> </tr> </table>	DATE	17MAR16	<table border="1"> <tr> <td>OUTLINE, GENSET</td> </tr> <tr> <td>OPTIONS</td> </tr> </table>	OUTLINE, GENSET	OPTIONS	<table border="1"> <tr> <td>ANG TOL</td> <td>± 1.0°</td> </tr> </table>				ANG TOL	± 1.0°	<table border="1"> <tr> <td>SCALE</td> <td>3:16</td> </tr> </table>	SCALE	3:16	<table border="1"> <tr> <td>SIZE</td> <td>ARROW</td> </tr> </table>	SIZE	ARROW	<table border="1"> <tr> <td>DATE</td> <td>17MAR16</td> </tr> </table>	DATE	17MAR16	<table border="1"> <tr> <td>APVD</td> <td>M JAWALE</td> </tr> </table>	APVD	M JAWALE	<table border="1"> <tr> <td>DATE</td> <td>17MAR16</td> </tr> </table>	DATE	17MAR16	<table border="1"> <tr> <td>OUTLINE, GENSET</td> </tr> <tr> <td>OPTIONS</td> </tr> </table>	OUTLINE, GENSET	OPTIONS	<table border="1"> <tr> <td>ANG TOL</td> <td>± 1.0°</td> </tr> </table>				ANG TOL	± 1.0°	<table border="1"> <tr> <td>SCALE</td> <td>3:16</td> </tr> </table>	SCALE	3:16	<table border="1"> <tr> <td>SIZE</td> <td>ARROW</td> </tr> </table>	SIZE	ARROW	<table border="1"> <tr> <td>DATE</td> <td>17MAR16</td> </tr> </table>	DATE	17MAR16	<table border="1"> <tr> <td>APVD</td> <td>M JAWALE</td> </tr> </table>	APVD	M JAWALE	<table border="1"> <tr> <td>DATE</td> <td>17MAR16</td> </tr> </table>	DATE	17MAR16	<table border="1"> <tr> <td>OUTLINE, GENSET</td> </tr> <tr> <td>OPTIONS</td> </tr> </table>	OUTLINE, GENSET	OPTIONS	<table border="1"> <tr> <td>ANG TOL</td> <td>± 1.0°</td> </tr> </table>				ANG TOL	± 1.0°	<table border="1"> <tr> <td>SCALE</td> <td>3:16</td> </tr> </table>	SCALE	3:16	<table border="1"> <tr> <td>SIZE</td> <td>ARROW</td> </tr> </table>	SIZE	ARROW	<table border="1"> <tr> <td>DATE</td> <td>17MAR16</td> </tr> </table>	DATE	17MAR16	<table border="1"> <tr> <td>APVD</td> <td>M JAWALE</td> </tr> </table>	APVD	M JAWALE	<table border="1"> <tr> <td>DATE</td> <td>17MAR16</td> </tr> </table>	DATE	17MAR16	<table border="1"> <tr> <td>OUTLINE, GENSET</td> </tr> <tr> <td>OPTIONS</td> </tr> </table>	OUTLINE, GENSET	OPTIONS	<table border="1"></table>		
ANG TOL	SCALE	THIS DOCUMENT AND THE INFORMATION SHOWN THEREON IS CONFIDENTIAL AND PROPRIETARY AND SHALL NOT BE DISCLOSED TO OTHERS IN HARD COPY OR ELECTRONIC FORM, REPRODUCED BY ANY MEANS, OR USED FOR ANY PURPOSE WITHOUT WRITTEN CONSENT OF CUMMINS INC.	<table border="1"> <tr> <td>DATE</td> <td>17MAR16</td> </tr> </table>	DATE	17MAR16	<table border="1"> <tr> <td>APVD</td> <td>M JAWALE</td> </tr> </table>	APVD	M JAWALE	<table border="1"> <tr> <td>DATE</td> <td>17MAR16</td> </tr> </table>	DATE	17MAR16	<table border="1"> <tr> <td>OUTLINE, GENSET</td> </tr> <tr> <td>OPTIONS</td> </tr> </table>	OUTLINE, GENSET	OPTIONS																																																																																																																																																																																																																																																																																																																																																																																																																																																																																																																																																																																																																																																																																																																																																																																																																																																																																																																										
DATE	17MAR16																																																																																																																																																																																																																																																																																																																																																																																																																																																																																																																																																																																																																																																																																																																																																																																																																																																																																																																																							
APVD	M JAWALE																																																																																																																																																																																																																																																																																																																																																																																																																																																																																																																																																																																																																																																																																																																																																																																																																																																																																																																																							
DATE	17MAR16																																																																																																																																																																																																																																																																																																																																																																																																																																																																																																																																																																																																																																																																																																																																																																																																																																																																																																																																							
OUTLINE, GENSET																																																																																																																																																																																																																																																																																																																																																																																																																																																																																																																																																																																																																																																																																																																																																																																																																																																																																																																																								
OPTIONS																																																																																																																																																																																																																																																																																																																																																																																																																																																																																																																																																																																																																																																																																																																																																																																																																																																																																																																																								
<table border="1"> <tr> <td>ANG TOL</td> <td>± 1.0°</td> </tr> </table>	ANG TOL	± 1.0°	<table border="1"> <tr> <td>SCALE</td> <td>3:16</td> </tr> </table>	SCALE	3:16	<table border="1"> <tr> <td>SIZE</td> <td>ARROW</td> </tr> </table>	SIZE	ARROW	<table border="1"> <tr> <td>DATE</td> <td>17MAR16</td> </tr> </table>	DATE	17MAR16	<table border="1"> <tr> <td>APVD</td> <td>M JAWALE</td> </tr> </table>	APVD	M JAWALE	<table border="1"> <tr> <td>DATE</td> <td>17MAR16</td> </tr> </table>	DATE	17MAR16	<table border="1"> <tr> <td>OUTLINE, GENSET</td> </tr> <tr> <td>OPTIONS</td> </tr> </table>	OUTLINE, GENSET	OPTIONS																																																																																																																																																																																																																																																																																																																																																																																																																																																																																																																																																																																																																																																																																																																																																																																																																																																																																																																				
ANG TOL	± 1.0°																																																																																																																																																																																																																																																																																																																																																																																																																																																																																																																																																																																																																																																																																																																																																																																																																																																																																																																																							
SCALE	3:16																																																																																																																																																																																																																																																																																																																																																																																																																																																																																																																																																																																																																																																																																																																																																																																																																																																																																																																																							
SIZE	ARROW																																																																																																																																																																																																																																																																																																																																																																																																																																																																																																																																																																																																																																																																																																																																																																																																																																																																																																																																							
DATE	17MAR16																																																																																																																																																																																																																																																																																																																																																																																																																																																																																																																																																																																																																																																																																																																																																																																																																																																																																																																																							
APVD	M JAWALE																																																																																																																																																																																																																																																																																																																																																																																																																																																																																																																																																																																																																																																																																																																																																																																																																																																																																																																																							
DATE	17MAR16																																																																																																																																																																																																																																																																																																																																																																																																																																																																																																																																																																																																																																																																																																																																																																																																																																																																																																																																							
OUTLINE, GENSET																																																																																																																																																																																																																																																																																																																																																																																																																																																																																																																																																																																																																																																																																																																																																																																																																																																																																																																																								
OPTIONS																																																																																																																																																																																																																																																																																																																																																																																																																																																																																																																																																																																																																																																																																																																																																																																																																																																																																																																																								
<table border="1"> <tr> <td>ANG TOL</td> <td>± 1.0°</td> </tr> </table>				ANG TOL	± 1.0°	<table border="1"> <tr> <td>SCALE</td> <td>3:16</td> </tr> </table>	SCALE	3:16	<table border="1"> <tr> <td>SIZE</td> <td>ARROW</td> </tr> </table>	SIZE	ARROW	<table border="1"> <tr> <td>DATE</td> <td>17MAR16</td> </tr> </table>	DATE	17MAR16	<table border="1"> <tr> <td>APVD</td> <td>M JAWALE</td> </tr> </table>	APVD	M JAWALE	<table border="1"> <tr> <td>DATE</td> <td>17MAR16</td> </tr> </table>	DATE	17MAR16	<table border="1"> <tr> <td>OUTLINE, GENSET</td> </tr> <tr> <td>OPTIONS</td> </tr> </table>	OUTLINE, GENSET	OPTIONS																																																																																																																																																																																																																																																																																																																																																																																																																																																																																																																																																																																																																																																																																																																																																																																																																																																																																																																	
ANG TOL	± 1.0°																																																																																																																																																																																																																																																																																																																																																																																																																																																																																																																																																																																																																																																																																																																																																																																																																																																																																																																																							
SCALE	3:16																																																																																																																																																																																																																																																																																																																																																																																																																																																																																																																																																																																																																																																																																																																																																																																																																																																																																																																																							
SIZE	ARROW																																																																																																																																																																																																																																																																																																																																																																																																																																																																																																																																																																																																																																																																																																																																																																																																																																																																																																																																							
DATE	17MAR16																																																																																																																																																																																																																																																																																																																																																																																																																																																																																																																																																																																																																																																																																																																																																																																																																																																																																																																																							
APVD	M JAWALE																																																																																																																																																																																																																																																																																																																																																																																																																																																																																																																																																																																																																																																																																																																																																																																																																																																																																																																																							
DATE	17MAR16																																																																																																																																																																																																																																																																																																																																																																																																																																																																																																																																																																																																																																																																																																																																																																																																																																																																																																																																							
OUTLINE, GENSET																																																																																																																																																																																																																																																																																																																																																																																																																																																																																																																																																																																																																																																																																																																																																																																																																																																																																																																																								
OPTIONS																																																																																																																																																																																																																																																																																																																																																																																																																																																																																																																																																																																																																																																																																																																																																																																																																																																																																																																																								
<table border="1"> <tr> <td>ANG TOL</td> <td>± 1.0°</td> </tr> </table>				ANG TOL	± 1.0°	<table border="1"> <tr> <td>SCALE</td> <td>3:16</td> </tr> </table>	SCALE	3:16	<table border="1"> <tr> <td>SIZE</td> <td>ARROW</td> </tr> </table>	SIZE	ARROW	<table border="1"> <tr> <td>DATE</td> <td>17MAR16</td> </tr> </table>	DATE	17MAR16	<table border="1"> <tr> <td>APVD</td> <td>M JAWALE</td> </tr> </table>	APVD	M JAWALE	<table border="1"> <tr> <td>DATE</td> <td>17MAR16</td> </tr> </table>	DATE	17MAR16	<table border="1"> <tr> <td>OUTLINE, GENSET</td> </tr> <tr> <td>OPTIONS</td> </tr> </table>	OUTLINE, GENSET	OPTIONS																																																																																																																																																																																																																																																																																																																																																																																																																																																																																																																																																																																																																																																																																																																																																																																																																																																																																																																	
ANG TOL	± 1.0°																																																																																																																																																																																																																																																																																																																																																																																																																																																																																																																																																																																																																																																																																																																																																																																																																																																																																																																																							
SCALE	3:16																																																																																																																																																																																																																																																																																																																																																																																																																																																																																																																																																																																																																																																																																																																																																																																																																																																																																																																																							
SIZE	ARROW																																																																																																																																																																																																																																																																																																																																																																																																																																																																																																																																																																																																																																																																																																																																																																																																																																																																																																																																							
DATE	17MAR16																																																																																																																																																																																																																																																																																																																																																																																																																																																																																																																																																																																																																																																																																																																																																																																																																																																																																																																																							
APVD	M JAWALE																																																																																																																																																																																																																																																																																																																																																																																																																																																																																																																																																																																																																																																																																																																																																																																																																																																																																																																																							
DATE	17MAR16																																																																																																																																																																																																																																																																																																																																																																																																																																																																																																																																																																																																																																																																																																																																																																																																																																																																																																																																							
OUTLINE, GENSET																																																																																																																																																																																																																																																																																																																																																																																																																																																																																																																																																																																																																																																																																																																																																																																																																																																																																																																																								
OPTIONS																																																																																																																																																																																																																																																																																																																																																																																																																																																																																																																																																																																																																																																																																																																																																																																																																																																																																																																																								
<table border="1"> <tr> <td>ANG TOL</td> <td>± 1.0°</td> </tr> </table>				ANG TOL	± 1.0°	<table border="1"> <tr> <td>SCALE</td> <td>3:16</td> </tr> </table>	SCALE	3:16	<table border="1"> <tr> <td>SIZE</td> <td>ARROW</td> </tr> </table>	SIZE	ARROW	<table border="1"> <tr> <td>DATE</td> <td>17MAR16</td> </tr> </table>	DATE	17MAR16	<table border="1"> <tr> <td>APVD</td> <td>M JAWALE</td> </tr> </table>	APVD	M JAWALE	<table border="1"> <tr> <td>DATE</td> <td>17MAR16</td> </tr> </table>	DATE	17MAR16	<table border="1"> <tr> <td>OUTLINE, GENSET</td> </tr> <tr> <td>OPTIONS</td> </tr> </table>	OUTLINE, GENSET	OPTIONS																																																																																																																																																																																																																																																																																																																																																																																																																																																																																																																																																																																																																																																																																																																																																																																																																																																																																																																	
ANG TOL	± 1.0°																																																																																																																																																																																																																																																																																																																																																																																																																																																																																																																																																																																																																																																																																																																																																																																																																																																																																																																																							
SCALE	3:16																																																																																																																																																																																																																																																																																																																																																																																																																																																																																																																																																																																																																																																																																																																																																																																																																																																																																																																																							
SIZE	ARROW																																																																																																																																																																																																																																																																																																																																																																																																																																																																																																																																																																																																																																																																																																																																																																																																																																																																																																																																							
DATE	17MAR16																																																																																																																																																																																																																																																																																																																																																																																																																																																																																																																																																																																																																																																																																																																																																																																																																																																																																																																																							
APVD	M JAWALE																																																																																																																																																																																																																																																																																																																																																																																																																																																																																																																																																																																																																																																																																																																																																																																																																																																																																																																																							
DATE	17MAR16																																																																																																																																																																																																																																																																																																																																																																																																																																																																																																																																																																																																																																																																																																																																																																																																																																																																																																																																							
OUTLINE, GENSET																																																																																																																																																																																																																																																																																																																																																																																																																																																																																																																																																																																																																																																																																																																																																																																																																																																																																																																																								
OPTIONS																																																																																																																																																																																																																																																																																																																																																																																																																																																																																																																																																																																																																																																																																																																																																																																																																																																																																																																																								
<table border="1"> <tr> <td>ANG TOL</td> <td>± 1.0°</td> </tr> </table>				ANG TOL	± 1.0°	<table border="1"> <tr> <td>SCALE</td> <td>3:16</td> </tr> </table>	SCALE	3:16	<table border="1"> <tr> <td>SIZE</td> <td>ARROW</td> </tr> </table>	SIZE	ARROW	<table border="1"> <tr> <td>DATE</td> <td>17MAR16</td> </tr> </table>	DATE	17MAR16	<table border="1"> <tr> <td>APVD</td> <td>M JAWALE</td> </tr> </table>	APVD	M JAWALE	<table border="1"> <tr> <td>DATE</td> <td>17MAR16</td> </tr> </table>	DATE	17MAR16	<table border="1"> <tr> <td>OUTLINE, GENSET</td> </tr> <tr> <td>OPTIONS</td> </tr> </table>	OUTLINE, GENSET	OPTIONS																																																																																																																																																																																																																																																																																																																																																																																																																																																																																																																																																																																																																																																																																																																																																																																																																																																																																																																	
ANG TOL	± 1.0°																																																																																																																																																																																																																																																																																																																																																																																																																																																																																																																																																																																																																																																																																																																																																																																																																																																																																																																																							
SCALE	3:16																																																																																																																																																																																																																																																																																																																																																																																																																																																																																																																																																																																																																																																																																																																																																																																																																																																																																																																																							
SIZE	ARROW																																																																																																																																																																																																																																																																																																																																																																																																																																																																																																																																																																																																																																																																																																																																																																																																																																																																																																																																							
DATE	17MAR16																																																																																																																																																																																																																																																																																																																																																																																																																																																																																																																																																																																																																																																																																																																																																																																																																																																																																																																																							
APVD	M JAWALE																																																																																																																																																																																																																																																																																																																																																																																																																																																																																																																																																																																																																																																																																																																																																																																																																																																																																																																																							
DATE	17MAR16																																																																																																																																																																																																																																																																																																																																																																																																																																																																																																																																																																																																																																																																																																																																																																																																																																																																																																																																							
OUTLINE, GENSET																																																																																																																																																																																																																																																																																																																																																																																																																																																																																																																																																																																																																																																																																																																																																																																																																																																																																																																																								
OPTIONS																																																																																																																																																																																																																																																																																																																																																																																																																																																																																																																																																																																																																																																																																																																																																																																																																																																																																																																																								
<table border="1"> <tr> <td>ANG TOL</td> <td>± 1.0°</td> </tr> </table>				ANG TOL	± 1.0°	<table border="1"> <tr> <td>SCALE</td> <td>3:16</td> </tr> </table>	SCALE	3:16	<table border="1"> <tr> <td>SIZE</td> <td>ARROW</td> </tr> </table>	SIZE	ARROW	<table border="1"> <tr> <td>DATE</td> <td>17MAR16</td> </tr> </table>	DATE	17MAR16	<table border="1"> <tr> <td>APVD</td> <td>M JAWALE</td> </tr> </table>	APVD	M JAWALE	<table border="1"> <tr> <td>DATE</td> <td>17MAR16</td> </tr> </table>	DATE	17MAR16	<table border="1"> <tr> <td>OUTLINE, GENSET</td> </tr> <tr> <td>OPTIONS</td> </tr> </table>	OUTLINE, GENSET	OPTIONS																																																																																																																																																																																																																																																																																																																																																																																																																																																																																																																																																																																																																																																																																																																																																																																																																																																																																																																	
ANG TOL	± 1.0°																																																																																																																																																																																																																																																																																																																																																																																																																																																																																																																																																																																																																																																																																																																																																																																																																																																																																																																																							
SCALE	3:16																																																																																																																																																																																																																																																																																																																																																																																																																																																																																																																																																																																																																																																																																																																																																																																																																																																																																																																																							
SIZE	ARROW																																																																																																																																																																																																																																																																																																																																																																																																																																																																																																																																																																																																																																																																																																																																																																																																																																																																																																																																							
DATE	17MAR16																																																																																																																																																																																																																																																																																																																																																																																																																																																																																																																																																																																																																																																																																																																																																																																																																																																																																																																																							
APVD	M JAWALE																																																																																																																																																																																																																																																																																																																																																																																																																																																																																																																																																																																																																																																																																																																																																																																																																																																																																																																																							
DATE	17MAR16																																																																																																																																																																																																																																																																																																																																																																																																																																																																																																																																																																																																																																																																																																																																																																																																																																																																																																																																							
OUTLINE, GENSET																																																																																																																																																																																																																																																																																																																																																																																																																																																																																																																																																																																																																																																																																																																																																																																																																																																																																																																																								
OPTIONS																																																																																																																																																																																																																																																																																																																																																																																																																																																																																																																																																																																																																																																																																																																																																																																																																																																																																																																																								
<table border="1"> <tr> <td>ANG TOL</td> <td>± 1.0°</td> </tr> </table>				ANG TOL	± 1.0°	<table border="1"> <tr> <td>SCALE</td> <td>3:16</td> </tr> </table>	SCALE	3:16	<table border="1"> <tr> <td>SIZE</td> <td>ARROW</td> </tr> </table>	SIZE	ARROW	<table border="1"> <tr> <td>DATE</td> <td>17MAR16</td> </tr> </table>	DATE	17MAR16	<table border="1"> <tr> <td>APVD</td> <td>M JAWALE</td> </tr> </table>	APVD	M JAWALE	<table border="1"> <tr> <td>DATE</td> <td>17MAR16</td> </tr> </table>	DATE	17MAR16	<table border="1"> <tr> <td>OUTLINE, GENSET</td> </tr> <tr> <td>OPTIONS</td> </tr> </table>	OUTLINE, GENSET	OPTIONS																																																																																																																																																																																																																																																																																																																																																																																																																																																																																																																																																																																																																																																																																																																																																																																																																																																																																																																	
ANG TOL	± 1.0°																																																																																																																																																																																																																																																																																																																																																																																																																																																																																																																																																																																																																																																																																																																																																																																																																																																																																																																																							
SCALE	3:16																																																																																																																																																																																																																																																																																																																																																																																																																																																																																																																																																																																																																																																																																																																																																																																																																																																																																																																																							
SIZE	ARROW																																																																																																																																																																																																																																																																																																																																																																																																																																																																																																																																																																																																																																																																																																																																																																																																																																																																																																																																							
DATE	17MAR16																																																																																																																																																																																																																																																																																																																																																																																																																																																																																																																																																																																																																																																																																																																																																																																																																																																																																																																																							
APVD	M JAWALE																																																																																																																																																																																																																																																																																																																																																																																																																																																																																																																																																																																																																																																																																																																																																																																																																																																																																																																																							
DATE	17MAR16																																																																																																																																																																																																																																																																																																																																																																																																																																																																																																																																																																																																																																																																																																																																																																																																																																																																																																																																							
OUTLINE, GENSET																																																																																																																																																																																																																																																																																																																																																																																																																																																																																																																																																																																																																																																																																																																																																																																																																																																																																																																																								
OPTIONS																																																																																																																																																																																																																																																																																																																																																																																																																																																																																																																																																																																																																																																																																																																																																																																																																																																																																																																																								
<table border="1"> <tr> <td>ANG TOL</td> <td>± 1.0°</td> </tr> </table>				ANG TOL	± 1.0°	<table border="1"> <tr> <td>SCALE</td> <td>3:16</td> </tr> </table>	SCALE	3:16	<table border="1"> <tr> <td>SIZE</td> <td>ARROW</td> </tr> </table>	SIZE	ARROW	<table border="1"> <tr> <td>DATE</td> <td>17MAR16</td> </tr> </table>	DATE	17MAR16	<table border="1"> <tr> <td>APVD</td> <td>M JAWALE</td> </tr> </table>	APVD	M JAWALE	<table border="1"> <tr> <td>DATE</td> <td>17MAR16</td> </tr> </table>	DATE	17MAR16	<table border="1"> <tr> <td>OUTLINE, GENSET</td> </tr> <tr> <td>OPTIONS</td> </tr> </table>	OUTLINE, GENSET	OPTIONS																																																																																																																																																																																																																																																																																																																																																																																																																																																																																																																																																																																																																																																																																																																																																																																																																																																																																																																	
ANG TOL	± 1.0°																																																																																																																																																																																																																																																																																																																																																																																																																																																																																																																																																																																																																																																																																																																																																																																																																																																																																																																																							
SCALE	3:16																																																																																																																																																																																																																																																																																																																																																																																																																																																																																																																																																																																																																																																																																																																																																																																																																																																																																																																																							
SIZE	ARROW																																																																																																																																																																																																																																																																																																																																																																																																																																																																																																																																																																																																																																																																																																																																																																																																																																																																																																																																							
DATE	17MAR16																																																																																																																																																																																																																																																																																																																																																																																																																																																																																																																																																																																																																																																																																																																																																																																																																																																																																																																																							
APVD	M JAWALE																																																																																																																																																																																																																																																																																																																																																																																																																																																																																																																																																																																																																																																																																																																																																																																																																																																																																																																																							
DATE	17MAR16																																																																																																																																																																																																																																																																																																																																																																																																																																																																																																																																																																																																																																																																																																																																																																																																																																																																																																																																							
OUTLINE, GENSET																																																																																																																																																																																																																																																																																																																																																																																																																																																																																																																																																																																																																																																																																																																																																																																																																																																																																																																																								
OPTIONS																																																																																																																																																																																																																																																																																																																																																																																																																																																																																																																																																																																																																																																																																																																																																																																																																																																																																																																																								
<table border="1"> <tr> <td>ANG TOL</td> <td>± 1.0°</td> </tr> </table>				ANG TOL	± 1.0°	<table border="1"> <tr> <td>SCALE</td> <td>3:16</td> </tr> </table>	SCALE	3:16	<table border="1"> <tr> <td>SIZE</td> <td>ARROW</td> </tr> </table>	SIZE	ARROW	<table border="1"> <tr> <td>DATE</td> <td>17MAR16</td> </tr> </table>	DATE	17MAR16	<table border="1"> <tr> <td>APVD</td> <td>M JAWALE</td> </tr> </table>	APVD	M JAWALE	<table border="1"> <tr> <td>DATE</td> <td>17MAR16</td> </tr> </table>	DATE	17MAR16	<table border="1"> <tr> <td>OUTLINE, GENSET</td> </tr> <tr> <td>OPTIONS</td> </tr> </table>	OUTLINE, GENSET	OPTIONS																																																																																																																																																																																																																																																																																																																																																																																																																																																																																																																																																																																																																																																																																																																																																																																																																																																																																																																	
ANG TOL	± 1.0°																																																																																																																																																																																																																																																																																																																																																																																																																																																																																																																																																																																																																																																																																																																																																																																																																																																																																																																																							
SCALE	3:16																																																																																																																																																																																																																																																																																																																																																																																																																																																																																																																																																																																																																																																																																																																																																																																																																																																																																																																																							
SIZE	ARROW																																																																																																																																																																																																																																																																																																																																																																																																																																																																																																																																																																																																																																																																																																																																																																																																																																																																																																																																							
DATE	17MAR16																																																																																																																																																																																																																																																																																																																																																																																																																																																																																																																																																																																																																																																																																																																																																																																																																																																																																																																																							
APVD	M JAWALE																																																																																																																																																																																																																																																																																																																																																																																																																																																																																																																																																																																																																																																																																																																																																																																																																																																																																																																																							
DATE	17MAR16																																																																																																																																																																																																																																																																																																																																																																																																																																																																																																																																																																																																																																																																																																																																																																																																																																																																																																																																							
OUTLINE, GENSET																																																																																																																																																																																																																																																																																																																																																																																																																																																																																																																																																																																																																																																																																																																																																																																																																																																																																																																																								
OPTIONS																																																																																																																																																																																																																																																																																																																																																																																																																																																																																																																																																																																																																																																																																																																																																																																																																																																																																																																																								
<table border="1"> <tr> <td>ANG TOL</td> <td>± 1.0°</td> </tr> </table>				ANG TOL	± 1.0°	<table border="1"> <tr> <td>SCALE</td> <td>3:16</td> </tr> </table>	SCALE	3:16	<table border="1"> <tr> <td>SIZE</td> <td>ARROW</td> </tr> </table>	SIZE	ARROW	<table border="1"> <tr> <td>DATE</td> <td>17MAR16</td> </tr> </table>	DATE	17MAR16	<table border="1"> <tr> <td>APVD</td> <td>M JAWALE</td> </tr> </table>	APVD	M JAWALE	<table border="1"> <tr> <td>DATE</td> <td>17MAR16</td> </tr> </table>	DATE	17MAR16	<table border="1"> <tr> <td>OUTLINE, GENSET</td> </tr> <tr> <td>OPTIONS</td> </tr> </table>	OUTLINE, GENSET	OPTIONS																																																																																																																																																																																																																																																																																																																																																																																																																																																																																																																																																																																																																																																																																																																																																																																																																																																																																																																	
ANG TOL	± 1.0°																																																																																																																																																																																																																																																																																																																																																																																																																																																																																																																																																																																																																																																																																																																																																																																																																																																																																																																																							
SCALE	3:16																																																																																																																																																																																																																																																																																																																																																																																																																																																																																																																																																																																																																																																																																																																																																																																																																																																																																																																																							
SIZE	ARROW																																																																																																																																																																																																																																																																																																																																																																																																																																																																																																																																																																																																																																																																																																																																																																																																																																																																																																																																							
DATE	17MAR16																																																																																																																																																																																																																																																																																																																																																																																																																																																																																																																																																																																																																																																																																																																																																																																																																																																																																																																																							
APVD	M JAWALE																																																																																																																																																																																																																																																																																																																																																																																																																																																																																																																																																																																																																																																																																																																																																																																																																																																																																																																																							
DATE	17MAR16																																																																																																																																																																																																																																																																																																																																																																																																																																																																																																																																																																																																																																																																																																																																																																																																																																																																																																																																							
OUTLINE, GENSET																																																																																																																																																																																																																																																																																																																																																																																																																																																																																																																																																																																																																																																																																																																																																																																																																																																																																																																																								
OPTIONS																																																																																																																																																																																																																																																																																																																																																																																																																																																																																																																																																																																																																																																																																																																																																																																																																																																																																																																																								
<table border="1"> <tr> <td>ANG TOL</td> <td>± 1.0°</td> </tr> </table>				ANG TOL	± 1.0°	<table border="1"> <tr> <td>SCALE</td> <td>3:16</td> </tr> </table>	SCALE	3:16	<table border="1"> <tr> <td>SIZE</td> <td>ARROW</td> </tr> </table>	SIZE	ARROW	<table border="1"> <tr> <td>DATE</td> <td>17MAR16</td> </tr> </table>	DATE	17MAR16	<table border="1"> <tr> <td>APVD</td> <td>M JAWALE</td> </tr> </table>	APVD	M JAWALE	<table border="1"> <tr> <td>DATE</td> <td>17MAR16</td> </tr> </table>	DATE	17MAR16	<table border="1"> <tr> <td>OUTLINE, GENSET</td> </tr> <tr> <td>OPTIONS</td> </tr> </table>	OUTLINE, GENSET	OPTIONS																																																																																																																																																																																																																																																																																																																																																																																																																																																																																																																																																																																																																																																																																																																																																																																																																																																																																																																	
ANG TOL	± 1.0°																																																																																																																																																																																																																																																																																																																																																																																																																																																																																																																																																																																																																																																																																																																																																																																																																																																																																																																																							
SCALE	3:16																																																																																																																																																																																																																																																																																																																																																																																																																																																																																																																																																																																																																																																																																																																																																																																																																																																																																																																																							
SIZE	ARROW																																																																																																																																																																																																																																																																																																																																																																																																																																																																																																																																																																																																																																																																																																																																																																																																																																																																																																																																							
DATE	17MAR16																																																																																																																																																																																																																																																																																																																																																																																																																																																																																																																																																																																																																																																																																																																																																																																																																																																																																																																																							
APVD	M JAWALE																																																																																																																																																																																																																																																																																																																																																																																																																																																																																																																																																																																																																																																																																																																																																																																																																																																																																																																																							
DATE	17MAR16																																																																																																																																																																																																																																																																																																																																																																																																																																																																																																																																																																																																																																																																																																																																																																																																																																																																																																																																							
OUTLINE, GENSET																																																																																																																																																																																																																																																																																																																																																																																																																																																																																																																																																																																																																																																																																																																																																																																																																																																																																																																																								
OPTIONS																																																																																																																																																																																																																																																																																																																																																																																																																																																																																																																																																																																																																																																																																																																																																																																																																																																																																																																																								
<table border="1"> <tr> <td>ANG TOL</td> <td>± 1.0°</td> </tr> </table>				ANG TOL	± 1.0°	<table border="1"> <tr> <td>SCALE</td> <td>3:16</td> </tr> </table>	SCALE	3:16	<table border="1"> <tr> <td>SIZE</td> <td>ARROW</td> </tr> </table>	SIZE	ARROW	<table border="1"> <tr> <td>DATE</td> <td>17MAR16</td> </tr> </table>	DATE	17MAR16	<table border="1"> <tr> <td>APVD</td> <td>M JAWALE</td> </tr> </table>	APVD	M JAWALE	<table border="1"> <tr> <td>DATE</td> <td>17MAR16</td> </tr> </table>	DATE	17MAR16	<table border="1"> <tr> <td>OUTLINE, GENSET</td> </tr> <tr> <td>OPTIONS</td> </tr> </table>	OUTLINE, GENSET	OPTIONS																																																																																																																																																																																																																																																																																																																																																																																																																																																																																																																																																																																																																																																																																																																																																																																																																																																																																																																	
ANG TOL	± 1.0°																																																																																																																																																																																																																																																																																																																																																																																																																																																																																																																																																																																																																																																																																																																																																																																																																																																																																																																																							
SCALE	3:16																																																																																																																																																																																																																																																																																																																																																																																																																																																																																																																																																																																																																																																																																																																																																																																																																																																																																																																																							
SIZE	ARROW																																																																																																																																																																																																																																																																																																																																																																																																																																																																																																																																																																																																																																																																																																																																																																																																																																																																																																																																							
DATE	17MAR16																																																																																																																																																																																																																																																																																																																																																																																																																																																																																																																																																																																																																																																																																																																																																																																																																																																																																																																																							
APVD	M JAWALE																																																																																																																																																																																																																																																																																																																																																																																																																																																																																																																																																																																																																																																																																																																																																																																																																																																																																																																																							
DATE	17MAR16																																																																																																																																																																																																																																																																																																																																																																																																																																																																																																																																																																																																																																																																																																																																																																																																																																																																																																																																							
OUTLINE, GENSET																																																																																																																																																																																																																																																																																																																																																																																																																																																																																																																																																																																																																																																																																																																																																																																																																																																																																																																																								
OPTIONS																																																																																																																																																																																																																																																																																																																																																																																																																																																																																																																																																																																																																																																																																																																																																																																																																																																																																																																																								
<table border="1"> <tr> <td>ANG TOL</td> <td>± 1.0°</td> </tr> </table>				ANG TOL	± 1.0°	<table border="1"> <tr> <td>SCALE</td> <td>3:16</td> </tr> </table>	SCALE	3:16	<table border="1"> <tr> <td>SIZE</td> <td>ARROW</td> </tr> </table>	SIZE	ARROW	<table border="1"> <tr> <td>DATE</td> <td>17MAR16</td> </tr> </table>	DATE	17MAR16	<table border="1"> <tr> <td>APVD</td> <td>M JAWALE</td> </tr> </table>	APVD	M JAWALE	<table border="1"> <tr> <td>DATE</td> <td>17MAR16</td> </tr> </table>	DATE	17MAR16	<table border="1"> <tr> <td>OUTLINE, GENSET</td> </tr> <tr> <td>OPTIONS</td> </tr> </table>	OUTLINE, GENSET	OPTIONS																																																																																																																																																																																																																																																																																																																																																																																																																																																																																																																																																																																																																																																																																																																																																																																																																																																																																																																	
ANG TOL	± 1.0°																																																																																																																																																																																																																																																																																																																																																																																																																																																																																																																																																																																																																																																																																																																																																																																																																																																																																																																																							
SCALE	3:16																																																																																																																																																																																																																																																																																																																																																																																																																																																																																																																																																																																																																																																																																																																																																																																																																																																																																																																																							
SIZE	ARROW																																																																																																																																																																																																																																																																																																																																																																																																																																																																																																																																																																																																																																																																																																																																																																																																																																																																																																																																							
DATE	17MAR16																																																																																																																																																																																																																																																																																																																																																																																																																																																																																																																																																																																																																																																																																																																																																																																																																																																																																																																																							
APVD	M JAWALE																																																																																																																																																																																																																																																																																																																																																																																																																																																																																																																																																																																																																																																																																																																																																																																																																																																																																																																																							
DATE	17MAR16																																																																																																																																																																																																																																																																																																																																																																																																																																																																																																																																																																																																																																																																																																																																																																																																																																																																																																																																							
OUTLINE, GENSET																																																																																																																																																																																																																																																																																																																																																																																																																																																																																																																																																																																																																																																																																																																																																																																																																																																																																																																																								
OPTIONS																																																																																																																																																																																																																																																																																																																																																																																																																																																																																																																																																																																																																																																																																																																																																																																																																																																																																																																																								
<table border="1"> <tr> <td>ANG TOL</td> <td>± 1.0°</td> </tr> </table>				ANG TOL	± 1.0°	<table border="1"> <tr> <td>SCALE</td> <td>3:16</td> </tr> </table>	SCALE	3:16	<table border="1"> <tr> <td>SIZE</td> <td>ARROW</td> </tr> </table>	SIZE	ARROW	<table border="1"> <tr> <td>DATE</td> <td>17MAR16</td> </tr> </table>	DATE	17MAR16	<table border="1"> <tr> <td>APVD</td> <td>M JAWALE</td> </tr> </table>	APVD	M JAWALE	<table border="1"> <tr> <td>DATE</td> <td>17MAR16</td> </tr> </table>	DATE	17MAR16	<table border="1"> <tr> <td>OUTLINE, GENSET</td> </tr> <tr> <td>OPTIONS</td> </tr> </table>	OUTLINE, GENSET	OPTIONS																																																																																																																																																																																																																																																																																																																																																																																																																																																																																																																																																																																																																																																																																																																																																																																																																																																																																																																	
ANG TOL	± 1.0°																																																																																																																																																																																																																																																																																																																																																																																																																																																																																																																																																																																																																																																																																																																																																																																																																																																																																																																																							
SCALE	3:16																																																																																																																																																																																																																																																																																																																																																																																																																																																																																																																																																																																																																																																																																																																																																																																																																																																																																																																																							
SIZE	ARROW																																																																																																																																																																																																																																																																																																																																																																																																																																																																																																																																																																																																																																																																																																																																																																																																																																																																																																																																							
DATE	17MAR16																																																																																																																																																																																																																																																																																																																																																																																																																																																																																																																																																																																																																																																																																																																																																																																																																																																																																																																																							
APVD	M JAWALE																																																																																																																																																																																																																																																																																																																																																																																																																																																																																																																																																																																																																																																																																																																																																																																																																																																																																																																																							
DATE	17MAR16																																																																																																																																																																																																																																																																																																																																																																																																																																																																																																																																																																																																																																																																																																																																																																																																																																																																																																																																							
OUTLINE, GENSET																																																																																																																																																																																																																																																																																																																																																																																																																																																																																																																																																																																																																																																																																																																																																																																																																																																																																																																																								
OPTIONS																																																																																																																																																																																																																																																																																																																																																																																																																																																																																																																																																																																																																																																																																																																																																																																																																																																																																																																																								
<table border="1"> <tr> <td>ANG TOL</td> <td>± 1.0°</td> </tr> </table>				ANG TOL	± 1.0°	<table border="1"> <tr> <td>SCALE</td> <td>3:16</td> </tr> </table>	SCALE	3:16	<table border="1"> <tr> <td>SIZE</td> <td>ARROW</td> </tr> </table>	SIZE	ARROW	<table border="1"> <tr> <td>DATE</td> <td>17MAR16</td> </tr> </table>	DATE	17MAR16	<table border="1"> <tr> <td>APVD</td> <td>M JAWALE</td> </tr> </table>	APVD	M JAWALE	<table border="1"> <tr> <td>DATE</td> <td>17MAR16</td> </tr> </table>	DATE	17MAR16	<table border="1"> <tr> <td>OUTLINE, GENSET</td> </tr> <tr> <td>OPTIONS</td> </tr> </table>	OUTLINE, GENSET	OPTIONS																																																																																																																																																																																																																																																																																																																																																																																																																																																																																																																																																																																																																																																																																																																																																																																																																																																																																																																	
ANG TOL	± 1.0°																																																																																																																																																																																																																																																																																																																																																																																																																																																																																																																																																																																																																																																																																																																																																																																																																																																																																																																																							
SCALE	3:16																																																																																																																																																																																																																																																																																																																																																																																																																																																																																																																																																																																																																																																																																																																																																																																																																																																																																																																																							
SIZE	ARROW																																																																																																																																																																																																																																																																																																																																																																																																																																																																																																																																																																																																																																																																																																																																																																																																																																																																																																																																							
DATE	17MAR16																																																																																																																																																																																																																																																																																																																																																																																																																																																																																																																																																																																																																																																																																																																																																																																																																																																																																																																																							
APVD	M JAWALE																																																																																																																																																																																																																																																																																																																																																																																																																																																																																																																																																																																																																																																																																																																																																																																																																																																																																																																																							
DATE	17MAR16																																																																																																																																																																																																																																																																																																																																																																																																																																																																																																																																																																																																																																																																																																																																																																																																																																																																																																																																							
OUTLINE, GENSET																																																																																																																																																																																																																																																																																																																																																																																																																																																																																																																																																																																																																																																																																																																																																																																																																																																																																																																																								
OPTIONS																																																																																																																																																																																																																																																																																																																																																																																																																																																																																																																																																																																																																																																																																																																																																																																																																																																																																																																																								
<table border="1"> <tr> <td>ANG TOL</td> <td>± 1.0°</td> </tr> </table>				ANG TOL	± 1.0°	<table border="1"> <tr> <td>SCALE</td> <td>3:16</td> </tr> </table>	SCALE	3:16	<table border="1"> <tr> <td>SIZE</td> <td>ARROW</td> </tr> </table>	SIZE	ARROW	<table border="1"> <tr> <td>DATE</td> <td>17MAR16</td> </tr> </table>	DATE	17MAR16	<table border="1"> <tr> <td>APVD</td> <td>M JAWALE</td> </tr> </table>	APVD	M JAWALE	<table border="1"> <tr> <td>DATE</td> <td>17MAR16</td> </tr> </table>	DATE	17MAR16	<table border="1"> <tr> <td>OUTLINE, GENSET</td> </tr> <tr> <td>OPTIONS</td> </tr> </table>	OUTLINE, GENSET	OPTIONS																																																																																																																																																																																																																																																																																																																																																																																																																																																																																																																																																																																																																																																																																																																																																																																																																																																																																																																	
ANG TOL	± 1.0°																																																																																																																																																																																																																																																																																																																																																																																																																																																																																																																																																																																																																																																																																																																																																																																																																																																																																																																																							
SCALE	3:16																																																																																																																																																																																																																																																																																																																																																																																																																																																																																																																																																																																																																																																																																																																																																																																																																																																																																																																																							
SIZE	ARROW																																																																																																																																																																																																																																																																																																																																																																																																																																																																																																																																																																																																																																																																																																																																																																																																																																																																																																																																							
DATE	17MAR16																																																																																																																																																																																																																																																																																																																																																																																																																																																																																																																																																																																																																																																																																																																																																																																																																																																																																																																																							
APVD	M JAWALE																																																																																																																																																																																																																																																																																																																																																																																																																																																																																																																																																																																																																																																																																																																																																																																																																																																																																																																																							
DATE	17MAR16																																																																																																																																																																																																																																																																																																																																																																																																																																																																																																																																																																																																																																																																																																																																																																																																																																																																																																																																							
OUTLINE, GENSET																																																																																																																																																																																																																																																																																																																																																																																																																																																																																																																																																																																																																																																																																																																																																																																																																																																																																																																																								
OPTIONS																																																																																																																																																																																																																																																																																																																																																																																																																																																																																																																																																																																																																																																																																																																																																																																																																																																																																																																																								
<table border="1"> <tr> <td>ANG TOL</td> <td>± 1.0°</td> </tr> </table>				ANG TOL	± 1.0°	<table border="1"> <tr> <td>SCALE</td> <td>3:16</td> </tr> </table>	SCALE	3:16	<table border="1"> <tr> <td>SIZE</td> <td>ARROW</td> </tr> </table>	SIZE	ARROW	<table border="1"> <tr> <td>DATE</td> <td>17MAR16</td> </tr> </table>	DATE	17MAR16	<table border="1"> <tr> <td>APVD</td> <td>M JAWALE</td> </tr> </table>	APVD	M JAWALE	<table border="1"> <tr> <td>DATE</td> <td>17MAR16</td> </tr> </table>	DATE	17MAR16	<table border="1"> <tr> <td>OUTLINE, GENSET</td> </tr> <tr> <td>OPTIONS</td> </tr> </table>	OUTLINE, GENSET	OPTIONS																																																																																																																																																																																																																																																																																																																																																																																																																																																																																																																																																																																																																																																																																																																																																																																																																																																																																																																	
ANG TOL	± 1.0°																																																																																																																																																																																																																																																																																																																																																																																																																																																																																																																																																																																																																																																																																																																																																																																																																																																																																																																																							
SCALE	3:16																																																																																																																																																																																																																																																																																																																																																																																																																																																																																																																																																																																																																																																																																																																																																																																																																																																																																																																																							
SIZE	ARROW																																																																																																																																																																																																																																																																																																																																																																																																																																																																																																																																																																																																																																																																																																																																																																																																																																																																																																																																							
DATE	17MAR16																																																																																																																																																																																																																																																																																																																																																																																																																																																																																																																																																																																																																																																																																																																																																																																																																																																																																																																																							
APVD	M JAWALE																																																																																																																																																																																																																																																																																																																																																																																																																																																																																																																																																																																																																																																																																																																																																																																																																																																																																																																																							
DATE	17MAR16																																																																																																																																																																																																																																																																																																																																																																																																																																																																																																																																																																																																																																																																																																																																																																																																																																																																																																																																							
OUTLINE, GENSET																																																																																																																																																																																																																																																																																																																																																																																																																																																																																																																																																																																																																																																																																																																																																																																																																																																																																																																																								
OPTIONS																																																																																																																																																																																																																																																																																																																																																																																																																																																																																																																																																																																																																																																																																																																																																																																																																																																																																																																																								
<table border="1"> <tr> <td>ANG TOL</td> <td>± 1.0°</td> </tr> </table>				ANG TOL	± 1.0°	<table border="1"> <tr> <td>SCALE</td> <td>3:16</td> </tr> </table>	SCALE	3:16	<table border="1"> <tr> <td>SIZE</td> <td>ARROW</td> </tr> </table>	SIZE	ARROW	<table border="1"> <tr> <td>DATE</td> <td>17MAR16</td> </tr> </table>	DATE	17MAR16	<table border="1"> <tr> <td>APVD</td> <td>M JAWALE</td> </tr> </table>	APVD	M JAWALE	<table border="1"> <tr> <td>DATE</td> <td>17MAR16</td> </tr> </table>	DATE	17MAR16	<table border="1"> <tr> <td>OUTLINE, GENSET</td> </tr> <tr> <td>OPTIONS</td> </tr> </table>	OUTLINE, GENSET	OPTIONS																																																																																																																																																																																																																																																																																																																																																																																																																																																																																																																																																																																																																																																																																																																																																																																																																																																																																																																	
ANG TOL	± 1.0°																																																																																																																																																																																																																																																																																																																																																																																																																																																																																																																																																																																																																																																																																																																																																																																																																																																																																																																																							
SCALE	3:16																																																																																																																																																																																																																																																																																																																																																																																																																																																																																																																																																																																																																																																																																																																																																																																																																																																																																																																																							
SIZE	ARROW																																																																																																																																																																																																																																																																																																																																																																																																																																																																																																																																																																																																																																																																																																																																																																																																																																																																																																																																							
DATE	17MAR16																																																																																																																																																																																																																																																																																																																																																																																																																																																																																																																																																																																																																																																																																																																																																																																																																																																																																																																																							
APVD	M JAWALE																																																																																																																																																																																																																																																																																																																																																																																																																																																																																																																																																																																																																																																																																																																																																																																																																																																																																																																																							
DATE	17MAR16																																																																																																																																																																																																																																																																																																																																																																																																																																																																																																																																																																																																																																																																																																																																																																																																																																																																																																																																							
OUTLINE, GENSET																																																																																																																																																																																																																																																																																																																																																																																																																																																																																																																																																																																																																																																																																																																																																																																																																																																																																																																																								
OPTIONS																																																																																																																																																																																																																																																																																																																																																																																																																																																																																																																																																																																																																																																																																																																																																																																																																																																																																																																																								
<table border="1"> <tr> <td>ANG TOL</td> <td>± 1.0°</td> </tr> </table>				ANG TOL	± 1.0°	<table border="1"> <tr> <td>SCALE</td> <td>3:16</td> </tr> </table>	SCALE	3:16	<table border="1"> <tr> <td>SIZE</td> <td>ARROW</td> </tr> </table>	SIZE	ARROW	<table border="1"> <tr> <td>DATE</td> <td>17MAR16</td> </tr> </table>	DATE	17MAR16	<table border="1"> <tr> <td>APVD</td> <td>M JAWALE</td> </tr> </table>	APVD	M JAWALE	<table border="1"> <tr> <td>DATE</td> <td>17MAR16</td> </tr> </table>	DATE	17MAR16	<table border="1"> <tr> <td>OUTLINE, GENSET</td> </tr> <tr> <td>OPTIONS</td> </tr> </table>	OUTLINE, GENSET	OPTIONS																																																																																																																																																																																																																																																																																																																																																																																																																																																																																																																																																																																																																																																																																																																																																																																																																																																																																																																	
ANG TOL	± 1.0°																																																																																																																																																																																																																																																																																																																																																																																																																																																																																																																																																																																																																																																																																																																																																																																																																																																																																																																																							
SCALE	3:16																																																																																																																																																																																																																																																																																																																																																																																																																																																																																																																																																																																																																																																																																																																																																																																																																																																																																																																																							
SIZE	ARROW																																																																																																																																																																																																																																																																																																																																																																																																																																																																																																																																																																																																																																																																																																																																																																																																																																																																																																																																							
DATE	17MAR16																																																																																																																																																																																																																																																																																																																																																																																																																																																																																																																																																																																																																																																																																																																																																																																																																																																																																																																																							
APVD	M JAWALE																																																																																																																																																																																																																																																																																																																																																																																																																																																																																																																																																																																																																																																																																																																																																																																																																																																																																																																																							
DATE	17MAR16																																																																																																																																																																																																																																																																																																																																																																																																																																																																																																																																																																																																																																																																																																																																																																																																																																																																																																																																							
OUTLINE, GENSET																																																																																																																																																																																																																																																																																																																																																																																																																																																																																																																																																																																																																																																																																																																																																																																																																																																																																																																																								
OPTIONS																																																																																																																																																																																																																																																																																																																																																																																																																																																																																																																																																																																																																																																																																																																																																																																																																																																																																																																																								
<table border="1"> <tr> <td>ANG TOL</td> <td>± 1.0°</td> </tr> </table>				ANG TOL	± 1.0°	<table border="1"> <tr> <td>SCALE</td> <td>3:16</td> </tr> </table>	SCALE	3:16	<table border="1"> <tr> <td>SIZE</td> <td>ARROW</td> </tr> </table>	SIZE	ARROW	<table border="1"> <tr> <td>DATE</td> <td>17MAR16</td> </tr> </table>	DATE	17MAR16	<table border="1"> <tr> <td>APVD</td> <td>M JAWALE</td> </tr> </table>	APVD	M JAWALE	<table border="1"> <tr> <td>DATE</td> <td>17MAR16</td> </tr> </table>	DATE	17MAR16	<table border="1"> <tr> <td>OUTLINE, GENSET</td> </tr> <tr> <td>OPTIONS</td> </tr> </table>	OUTLINE, GENSET	OPTIONS																																																																																																																																																																																																																																																																																																																																																																																																																																																																																																																																																																																																																																																																																																																																																																																																																																																																																																																	
ANG TOL	± 1.0°																																																																																																																																																																																																																																																																																																																																																																																																																																																																																																																																																																																																																																																																																																																																																																																																																																																																																																																																							
SCALE	3:16																																																																																																																																																																																																																																																																																																																																																																																																																																																																																																																																																																																																																																																																																																																																																																																																																																																																																																																																							
SIZE	ARROW																																																																																																																																																																																																																																																																																																																																																																																																																																																																																																																																																																																																																																																																																																																																																																																																																																																																																																																																							
DATE	17MAR16																																																																																																																																																																																																																																																																																																																																																																																																																																																																																																																																																																																																																																																																																																																																																																																																																																																																																																																																							
APVD	M JAWALE																																																																																																																																																																																																																																																																																																																																																																																																																																																																																																																																																																																																																																																																																																																																																																																																																																																																																																																																							
DATE	17MAR16																																																																																																																																																																																																																																																																																																																																																																																																																																																																																																																																																																																																																																																																																																																																																																																																																																																																																																																																							
OUTLINE, GENSET																																																																																																																																																																																																																																																																																																																																																																																																																																																																																																																																																																																																																																																																																																																																																																																																																																																																																																																																								
OPTIONS																																																																																																																																																																																																																																																																																																																																																																																																																																																																																																																																																																																																																																																																																																																																																																																																																																																																																																																																								
<table border="1"> <tr> <td>ANG TOL</td> <td>± 1.0°</td> </tr> </table>				ANG TOL	± 1.0°	<table border="1"> <tr> <td>SCALE</td> <td>3:16</td> </tr> </table>	SCALE	3:16	<table border="1"> <tr> <td>SIZE</td> <td>ARROW</td> </tr> </table>	SIZE	ARROW	<table border="1"> <tr> <td>DATE</td> <td>17MAR16</td> </tr> </table>	DATE	17MAR16	<table border="1"> <tr> <td>APVD</td> <td>M JAWALE</td> </tr> </table>	APVD	M JAWALE	<table border="1"> <tr> <td>DATE</td> <td>17MAR16</td> </tr> </table>	DATE	17MAR16	<table border="1"> <tr> <td>OUTLINE, GENSET</td> </tr> <tr> <td>OPTIONS</td> </tr> </table>	OUTLINE, GENSET	OPTIONS																																																																																																																																																																																																																																																																																																																																																																																																																																																																																																																																																																																																																																																																																																																																																																																																																																																																																																																	
ANG TOL	± 1.0°																																																																																																																																																																																																																																																																																																																																																																																																																																																																																																																																																																																																																																																																																																																																																																																																																																																																																																																																							
SCALE	3:16																																																																																																																																																																																																																																																																																																																																																																																																																																																																																																																																																																																																																																																																																																																																																																																																																																																																																																																																							
SIZE	ARROW																																																																																																																																																																																																																																																																																																																																																																																																																																																																																																																																																																																																																																																																																																																																																																																																																																																																																																																																							
DATE	17MAR16																																																																																																																																																																																																																																																																																																																																																																																																																																																																																																																																																																																																																																																																																																																																																																																																																																																																																																																																							
APVD	M JAWALE																																																																																																																																																																																																																																																																																																																																																																																																																																																																																																																																																																																																																																																																																																																																																																																																																																																																																																																																							
DATE	17MAR16																																																																																																																																																																																																																																																																																																																																																																																																																																																																																																																																																																																																																																																																																																																																																																																																																																																																																																																																							
OUTLINE, GENSET																																																																																																																																																																																																																																																																																																																																																																																																																																																																																																																																																																																																																																																																																																																																																																																																																																																																																																																																								
OPTIONS																																																																																																																																																																																																																																																																																																																																																																																																																																																																																																																																																																																																																																																																																																																																																																																																																																																																																																																																								
<table border="1"> <tr> <td>ANG TOL</td> <td>± 1.0°</td> </tr> </table>				ANG TOL	± 1.0°	<table border="1"> <tr> <td>SCALE</td> <td>3:16</td> </tr> </table>	SCALE	3:16	<table border="1"> <tr> <td>SIZE</td> <td>ARROW</td> </tr> </table>	SIZE	ARROW	<table border="1"> <tr> <td>DATE</td> <td>17MAR16</td> </tr> </table>	DATE	17MAR16	<table border="1"> <tr> <td>APVD</td> <td>M JAWALE</td> </tr> </table>	APVD	M JAWALE	<table border="1"> <tr> <td>DATE</td> <td>17MAR16</td> </tr> </table>	DATE	17MAR16	<table border="1"> <tr> <td>OUTLINE, GENSET</td> </tr> <tr> <td>OPTIONS</td> </tr> </table>	OUTLINE, GENSET	OPTIONS																																																																																																																																																																																																																																																																																																																																																																																																																																																																																																																																																																																																																																																																																																																																																																																																																																																																																																																	
ANG TOL	± 1.0°																																																																																																																																																																																																																																																																																																																																																																																																																																																																																																																																																																																																																																																																																																																																																																																																																																																																																																																																							
SCALE	3:16																																																																																																																																																																																																																																																																																																																																																																																																																																																																																																																																																																																																																																																																																																																																																																																																																																																																																																																																							
SIZE	ARROW																																																																																																																																																																																																																																																																																																																																																																																																																																																																																																																																																																																																																																																																																																																																																																																																																																																																																																																																							
DATE	17MAR16																																																																																																																																																																																																																																																																																																																																																																																																																																																																																																																																																																																																																																																																																																																																																																																																																																																																																																																																							
APVD	M JAWALE																																																																																																																																																																																																																																																																																																																																																																																																																																																																																																																																																																																																																																																																																																																																																																																																																																																																																																																																							
DATE	17MAR16																																																																																																																																																																																																																																																																																																																																																																																																																																																																																																																																																																																																																																																																																																																																																																																																																																																																																																																																							
OUTLINE, GENSET																																																																																																																																																																																																																																																																																																																																																																																																																																																																																																																																																																																																																																																																																																																																																																																																																																																																																																																																								
OPTIONS																																																																																																																																																																																																																																																																																																																																																																																																																																																																																																																																																																																																																																																																																																																																																																																																																																																																																																																																								
<table border="1"> <tr> <td>ANG TOL</td> <td>± 1.0°</td> </tr> </table>				ANG TOL	± 1.0°	<table border="1"> <tr> <td>SCALE</td> <td>3:16</td> </tr> </table>	SCALE	3:16	<table border="1"> <tr> <td>SIZE</td> <td>ARROW</td> </tr> </table>	SIZE	ARROW	<table border="1"> <tr> <td>DATE</td> <td>17MAR16</td> </tr> </table>	DATE	17MAR16	<table border="1"> <tr> <td>APVD</td> <td>M JAWALE</td> </tr> </table>	APVD	M JAWALE	<table border="1"> <tr> <td>DATE</td> <td>17MAR16</td> </tr> </table>	DATE	17MAR16	<table border="1"> <tr> <td>OUTLINE, GENSET</td> </tr> <tr> <td>OPTIONS</td> </tr> </table>	OUTLINE, GENSET	OPTIONS																																																																																																																																																																																																																																																																																																																																																																																																																																																																																																																																																																																																																																																																																																																																																																																																																																																																																																																	
ANG TOL	± 1.0°																																																																																																																																																																																																																																																																																																																																																																																																																																																																																																																																																																																																																																																																																																																																																																																																																																																																																																																																							
SCALE	3:16																																																																																																																																																																																																																																																																																																																																																																																																																																																																																																																																																																																																																																																																																																																																																																																																																																																																																																																																							
SIZE	ARROW																																																																																																																																																																																																																																																																																																																																																																																																																																																																																																																																																																																																																																																																																																																																																																																																																																																																																																																																							
DATE	17MAR16																																																																																																																																																																																																																																																																																																																																																																																																																																																																																																																																																																																																																																																																																																																																																																																																																																																																																																																																							
APVD	M JAWALE																																																																																																																																																																																																																																																																																																																																																																																																																																																																																																																																																																																																																																																																																																																																																																																																																																																																																																																																							
DATE	17MAR16																																																																																																																																																																																																																																																																																																																																																																																																																																																																																																																																																																																																																																																																																																																																																																																																																																																																																																																																							
OUTLINE, GENSET																																																																																																																																																																																																																																																																																																																																																																																																																																																																																																																																																																																																																																																																																																																																																																																																																																																																																																																																								
OPTIONS																																																																																																																																																																																																																																																																																																																																																																																																																																																																																																																																																																																																																																																																																																																																																																																																																																																																																																																																								
<table border="1"> <tr> <td>ANG TOL</td> <td>± 1.0°</td> </tr> </table>				ANG TOL	± 1.0°	<table border="1"> <tr> <td>SCALE</td> <td>3:16</td> </tr> </table>	SCALE	3:16	<table border="1"> <tr> <td>SIZE</td> <td>ARROW</td> </tr> </table>	SIZE	ARROW	<table border="1"> <tr> <td>DATE</td> <td>17MAR16</td> </tr> </table>	DATE	17MAR16	<table border="1"> <tr> <td>APVD</td> <td>M JAWALE</td> </tr> </table>	APVD	M JAWALE	<table border="1"> <tr> <td>DATE</td> <td>17MAR16</td> </tr> </table>	DATE	17MAR16	<table border="1"> <tr> <td>OUTLINE, GENSET</td> </tr> <tr> <td>OPTIONS</td> </tr> </table>	OUTLINE, GENSET	OPTIONS																																																																																																																																																																																																																																																																																																																																																																																																																																																																																																																																																																																																																																																																																																																																																																																																																																																																																																																	
ANG TOL	± 1.0°																																																																																																																																																																																																																																																																																																																																																																																																																																																																																																																																																																																																																																																																																																																																																																																																																																																																																																																																							
SCALE	3:16																																																																																																																																																																																																																																																																																																																																																																																																																																																																																																																																																																																																																																																																																																																																																																																																																																																																																																																																							
SIZE	ARROW																																																																																																																																																																																																																																																																																																																																																																																																																																																																																																																																																																																																																																																																																																																																																																																																																																																																																																																																							
DATE	17MAR16																																																																																																																																																																																																																																																																																																																																																																																																																																																																																																																																																																																																																																																																																																																																																																																																																																																																																																																																							
APVD	M JAWALE																																																																																																																																																																																																																																																																																																																																																																																																																																																																																																																																																																																																																																																																																																																																																																																																																																																																																																																																							
DATE	17MAR16																																																																																																																																																																																																																																																																																																																																																																																																																																																																																																																																																																																																																																																																																																																																																																																																																																																																																																																																							
OUTLINE, GENSET																																																																																																																																																																																																																																																																																																																																																																																																																																																																																																																																																																																																																																																																																																																																																																																																																																																																																																																																								
OPTIONS																																																																																																																																																																																																																																																																																																																																																																																																																																																																																																																																																																																																																																																																																																																																																																																																																																																																																																																																								
<table border="1"> <tr> <td>ANG TOL</td> <td>± 1.0°</td> </tr> </table>				ANG TOL	± 1.0°	<table border="1"> <tr> <td>SCALE</td> <td>3:16</td> </tr> </table>	SCALE	3:16	<table border="1"> <tr> <td>SIZE</td> <td>ARROW</td> </tr> </table>	SIZE	ARROW	<table border="1"> <tr> <td>DATE</td> <td>17MAR16</td> </tr> </table>	DATE	17MAR16	<table border="1"> <tr> <td>APVD</td> <td>M JAWALE</td> </tr> </table>	APVD	M JAWALE	<table border="1"> <tr> <td>DATE</td> <td>17MAR16</td> </tr> </table>	DATE	17MAR16	<table border="1"> <tr> <td>OUTLINE, GENSET</td> </tr> <tr> <td>OPTIONS</td> </tr> </table>	OUTLINE, GENSET	OPTIONS																																																																																																																																																																																																																																																																																																																																																																																																																																																																																																																																																																																																																																																																																																																																																																																																																																																																																																																	
ANG TOL	± 1.0°																																																																																																																																																																																																																																																																																																																																																																																																																																																																																																																																																																																																																																																																																																																																																																																																																																																																																																																																							
SCALE	3:16																																																																																																																																																																																																																																																																																																																																																																																																																																																																																																																																																																																																																																																																																																																																																																																																																																																																																																																																							
SIZE	ARROW																																																																																																																																																																																																																																																																																																																																																																																																																																																																																																																																																																																																																																																																																																																																																																																																																																																																																																																																							
DATE	17MAR16																																																																																																																																																																																																																																																																																																																																																																																																																																																																																																																																																																																																																																																																																																																																																																																																																																																																																																																																							
APVD	M JAWALE																																																																																																																																																																																																																																																																																																																																																																																																																																																																																																																																																																																																																																																																																																																																																																																																																																																																																																																																							
DATE	17MAR16																																																																																																																																																																																																																																																																																																																																																																																																																																																																																																																																																																																																																																																																																																																																																																																																																																																																																																																																							
OUTLINE, GENSET																																																																																																																																																																																																																																																																																																																																																																																																																																																																																																																																																																																																																																																																																																																																																																																																																																																																																																																																								
OPTIONS																																																																																																																																																																																																																																																																																																																																																																																																																																																																																																																																																																																																																																																																																																																																																																																																																																																																																																																																								
<table border="1"> <tr> <td>ANG TOL</td> <td>± 1.0°</td> </tr> </table>				ANG TOL	± 1.0°	<table border="1"> <tr> <td>SCALE</td> <td>3:16</td> </tr> </table>	SCALE	3:16	<table border="1"> <tr> <td>SIZE</td> <td>ARROW</td> </tr> </table>	SIZE	ARROW	<table border="1"> <tr> <td>DATE</td> <td>17MAR16</td> </tr> </table>	DATE	17MAR16	<table border="1"> <tr> <td>APVD</td> <td>M JAWALE</td> </tr> </table>	APVD	M JAWALE	<table border="1"> <tr> <td>DATE</td> <td>17MAR16</td> </tr> </table>	DATE	17MAR16	<table border="1"> <tr> <td>OUTLINE, GENSET</td> </tr> <tr> <td>OPTIONS</td> </tr> </table>	OUTLINE, GENSET	OPTIONS																																																																																																																																																																																																																																																																																																																																																																																																																																																																																																																																																																																																																																																																																																																																																																																																																																																																																																																	
ANG TOL	± 1.0°																																																																																																																																																																																																																																																																																																																																																																																																																																																																																																																																																																																																																																																																																																																																																																																																																																																																																																																																							
SCALE	3:16																																																																																																																																																																																																																																																																																																																																																																																																																																																																																																																																																																																																																																																																																																																																																																																																																																																																																																																																							
SIZE	ARROW																																																																																																																																																																																																																																																																																																																																																																																																																																																																																																																																																																																																																																																																																																																																																																																																																																																																																																																																							
DATE	17MAR16																																																																																																																																																																																																																																																																																																																																																																																																																																																																																																																																																																																																																																																																																																																																																																																																																																																																																																																																							
APVD	M JAWALE																																																																																																																																																																																																																																																																																																																																																																																																																																																																																																																																																																																																																																																																																																																																																																																																																																																																																																																																							
DATE	17MAR16																																																																																																																																																																																																																																																																																																																																																																																																																																																																																																																																																																																																																																																																																																																																																																																																																																																																																																																																							
OUTLINE, GENSET																																																																																																																																																																																																																																																																																																																																																																																																																																																																																																																																																																																																																																																																																																																																																																																																																																																																																																																																								
OPTIONS																																																																																																																																																																																																																																																																																																																																																																																																																																																																																																																																																																																																																																																																																																																																																																																																																																																																																																																																								
<table border="1"> <tr> <td>ANG TOL</td> <td>± 1.0°</td> </tr> </table>				ANG TOL	± 1.0°	<table border="1"> <tr> <td>SCALE</td> <td>3:16</td> </tr> </table>	SCALE	3:16	<table border="1"> <tr> <td>SIZE</td> <td>ARROW</td> </tr> </table>	SIZE	ARROW	<table border="1"> <tr> <td>DATE</td> <td>17MAR16</td> </tr> </table>	DATE	17MAR16	<table border="1"> <tr> <td>APVD</td> <td>M JAWALE</td> </tr> </table>	APVD	M JAWALE	<table border="1"> <tr> <td>DATE</td> <td>17MAR16</td> </tr> </table>	DATE	17MAR16	<table border="1"> <tr> <td>OUTLINE, GENSET</td> </tr> <tr> <td>OPTIONS</td> </tr> </table>	OUTLINE, GENSET	OPTIONS																																																																																																																																																																																																																																																																																																																																																																																																																																																																																																																																																																																																																																																																																																																																																																																																																																																																																																																	
ANG TOL	± 1.0°																																																																																																																																																																																																																																																																																																																																																																																																																																																																																																																																																																																																																																																																																																																																																																																																																																																																																																																																							
SCALE	3:16																																																																																																																																																																																																																																																																																																																																																																																																																																																																																																																																																																																																																																																																																																																																																																																																																																																																																																																																							
SIZE	ARROW																																																																																																																																																																																																																																																																																																																																																																																																																																																																																																																																																																																																																																																																																																																																																																																																																																																																																																																																							
DATE	17MAR16																																																																																																																																																																																																																																																																																																																																																																																																																																																																																																																																																																																																																																																																																																																																																																																																																																																																																																																																							
APVD	M JAWALE																																																																																																																																																																																																																																																																																																																																																																																																																																																																																																																																																																																																																																																																																																																																																																																																																																																																																																																																							
DATE	17MAR16																																																																																																																																																																																																																																																																																																																																																																																																																																																																																																																																																																																																																																																																																																																																																																																																																																																																																																																																							
OUTLINE, GENSET																																																																																																																																																																																																																																																																																																																																																																																																																																																																																																																																																																																																																																																																																																																																																																																																																																																																																																																																								
OPTIONS																																																																																																																																																																																																																																																																																																																																																																																																																																																																																																																																																																																																																																																																																																																																																																																																																																																																																																																																								
<table border="1"> <tr> <td>ANG TOL</td> <td>± 1.0°</td> </tr> </table>				ANG TOL	± 1.0°	<table border="1"> <tr> <td>SCALE</td> <td>3:16</td> </tr> </table>	SCALE	3:16	<table border="1"> <tr> <td>SIZE</td> <td>ARROW</td> </tr> </table>	SIZE	ARROW	<table border="1"> <tr> <td>DATE</td> <td>17MAR16</td> </tr> </table>	DATE	17MAR16	<table border="1"> <tr> <td>APVD</td> <td>M JAWALE</td> </tr> </table>	APVD	M JAWALE	<table border="1"> <tr> <td>DATE</td> <td>17MAR16</td> </tr> </table>	DATE	17MAR16	<table border="1"> <tr> <td>OUTLINE, GENSET</td> </tr> <tr> <td>OPTIONS</td> </tr> </table>	OUTLINE, GENSET	OPTIONS																																																																																																																																																																																																																																																																																																																																																																																																																																																																																																																																																																																																																																																																																																																																																																																																																																																																																																																	
ANG TOL	± 1.0°																																																																																																																																																																																																																																																																																																																																																																																																																																																																																																																																																																																																																																																																																																																																																																																																																																																																																																																																							
SCALE	3:16																																																																																																																																																																																																																																																																																																																																																																																																																																																																																																																																																																																																																																																																																																																																																																																																																																																																																																																																							
SIZE	ARROW																																																																																																																																																																																																																																																																																																																																																																																																																																																																																																																																																																																																																																																																																																																																																																																																																																																																																																																																							
DATE	17MAR16																																																																																																																																																																																																																																																																																																																																																																																																																																																																																																																																																																																																																																																																																																																																																																																																																																																																																																																																							
APVD	M JAWALE																																																																																																																																																																																																																																																																																																																																																																																																																																																																																																																																																																																																																																																																																																																																																																																																																																																																																																																																							
DATE	17MAR16																																																																																																																																																																																																																																																																																																																																																																																																																																																																																																																																																																																																																																																																																																																																																																																																																																																																																																																																							
OUTLINE, GENSET																																																																																																																																																																																																																																																																																																																																																																																																																																																																																																																																																																																																																																																																																																																																																																																																																																																																																																																																								
OPTIONS																																																																																																																																																																																																																																																																																																																																																																																																																																																																																																																																																																																																																																																																																																																																																																																																																																																																																																																																								
<table border="1"> <tr> <td>ANG TOL</td> <td>± 1.0°</td> </tr> </table>				ANG TOL	± 1.0°	<table border="1"> <tr> <td>SCALE</td> <td>3:16</td> </tr> </table>	SCALE	3:16	<table border="1"> <tr> <td>SIZE</td> <td>ARROW</td> </tr> </table>	SIZE	ARROW	<table border="1"> <tr> <td>DATE</td> <td>17MAR16</td> </tr> </table>	DATE	17MAR16	<table border="1"> <tr> <td>APVD</td> <td>M JAWALE</td> </tr> </table>	APVD	M JAWALE	<table border="1"> <tr> <td>DATE</td> <td>17MAR16</td> </tr> </table>	DATE	17MAR16	<table border="1"> <tr> <td>OUTLINE, GENSET</td> </tr> <tr> <td>OPTIONS</td> </tr> </table>	OUTLINE, GENSET	OPTIONS																																																																																																																																																																																																																																																																																																																																																																																																																																																																																																																																																																																																																																																																																																																																																																																																																																																																																																																	
ANG TOL	± 1.0°																																																																																																																																																																																																																																																																																																																																																																																																																																																																																																																																																																																																																																																																																																																																																																																																																																																																																																																																							
SCALE	3:16																																																																																																																																																																																																																																																																																																																																																																																																																																																																																																																																																																																																																																																																																																																																																																																																																																																																																																																																							
SIZE	ARROW																																																																																																																																																																																																																																																																																																																																																																																																																																																																																																																																																																																																																																																																																																																																																																																																																																																																																																																																							
DATE	17MAR16																																																																																																																																																																																																																																																																																																																																																																																																																																																																																																																																																																																																																																																																																																																																																																																																																																																																																																																																							
APVD	M JAWALE																																																																																																																																																																																																																																																																																																																																																																																																																																																																																																																																																																																																																																																																																																																																																																																																																																																																																																																																							
DATE	17MAR16																																																																																																																																																																																																																																																																																																																																																																																																																																																																																																																																																																																																																																																																																																																																																																																																																																																																																																																																							
OUTLINE, GENSET																																																																																																																																																																																																																																																																																																																																																																																																																																																																																																																																																																																																																																																																																																																																																																																																																																																																																																																																								
OPTIONS																																																																																																																																																																																																																																																																																																																																																																																																																																																																																																																																																																																																																																																																																																																																																																																																																																																																																																																																								
<table border="1"> <tr> <td>ANG TOL</td> <td>± 1.0°</td> </tr> </table>				ANG TOL	± 1.0°	<table border="1"> <tr> <td>SCALE</td> <td>3:16</td> </tr> </table>	SCALE	3:16	<table border="1"> <tr> <td>SIZE</td> <td>ARROW</td> </tr> </table>	SIZE	ARROW	<table border="1"> <tr> <td>DATE</td> <td>17MAR16</td> </tr> </table>	DATE	17MAR16	<table border="1"> <tr> <td>APVD</td> <td>M JAWALE</td> </tr> </table>	APVD	M JAWALE	<table border="1"> <tr> <td>DATE</td> <td>17MAR16</td> </tr> </table>	DATE	17MAR16	<table border="1"> <tr> <td>OUTLINE, GENSET</td> </tr> <tr> <td>OPTIONS</td> </tr> </table>	OUTLINE, GENSET	OPTIONS																																																																																																																																																																																																																																																																																																																																																																																																																																																																																																																																																																																																																																																																																																																																																																																																																																																																																																																	
ANG TOL	± 1.0°																																																																																																																																																																																																																																																																																																																																																																																																																																																																																																																																																																																																																																																																																																																																																																																																																																																																																																																																							
SCALE	3:16																																																																																																																																																																																																																																																																																																																																																																																																																																																																																																																																																																																																																																																																																																																																																																																																																																																																																																																																							
SIZE	ARROW																																																																																																																																																																																																																																																																																																																																																																																																																																																																																																																																																																																																																																																																																																																																																																																																																																																																																																																																							
DATE	17MAR16																																																																																																																																																																																																																																																																																																																																																																																																																																																																																																																																																																																																																																																																																																																																																																																																																																																																																																																																							
APVD	M JAWALE																																																																																																																																																																																																																																																																																																																																																																																																																																																																																																																																																																																																																																																																																																																																																																																																																																																																																																																																							
DATE	17MAR16																																																																																																																																																																																																																																																																																																																																																																																																																																																																																																																																																																																																																																																																																																																																																																																																																																																																																																																																							
OUTLINE, GENSET																																																																																																																																																																																																																																																																																																																																																																																																																																																																																																																																																																																																																																																																																																																																																																																																																																																																																																																																								
OPTIONS																																																																																																																																																																																																																																																																																																																																																																																																																																																																																																																																																																																																																																																																																																																																																																																																																																																																																																																																								
<table border="1"> <tr> <td>ANG TOL</td> <td>± 1.0°</td> </tr> </table>				ANG TOL	± 1.0°	<table border="1"> <tr> <td>SCALE</td> <td>3:16</td> </tr> </table>	SCALE	3:16	<table border="1"> <tr> <td>SIZE</td> <td>ARROW</td> </tr> </table>	SIZE	ARROW	<table border="1"> <tr> <td>DATE</td> <td>17MAR16</td> </tr> </table>	DATE	17MAR16	<table border="1"> <tr> <td>APVD</td> <td>M JAWALE</td> </tr> </table>	APVD	M JAWALE	<table border="1"> <tr> <td>DATE</td> <td>17MAR16</td> </tr> </table>	DATE	17MAR16	<table border="1"> <tr> <td>OUTLINE, GENSET</td> </tr> <tr> <td>OPTIONS</td> </tr> </table>	OUTLINE, GENSET	OPTIONS																																																																																																																																																																																																																																																																																																																																																																																																																																																																																																																																																																																																																																																																																																																																																																																																																																																																																																																	
ANG TOL	± 1.0°																																																																																																																																																																																																																																																																																																																																																																																																																																																																																																																																																																																																																																																																																																																																																																																																																																																																																																																																							
SCALE	3:16																																																																																																																																																																																																																																																																																																																																																																																																																																																																																																																																																																																																																																																																																																																																																																																																																																																																																																																																							
SIZE	ARROW																																																																																																																																																																																																																																																																																																																																																																																																																																																																																																																																																																																																																																																																																																																																																																																																																																																																																																																																							
DATE	17MAR16																																																																																																																																																																																																																																																																																																																																																																																																																																																																																																																																																																																																																																																																																																																																																																																																																																																																																																																																							
APVD	M JAWALE																																																																																																																																																																																																																																																																																																																																																																																																																																																																																																																																																																																																																																																																																																																																																																																																																																																																																																																																							
DATE	17MAR16																																																																																																																																																																																																																																																																																																																																																																																																																																																																																																																																																																																																																																																																																																																																																																																																																																																																																																																																							
OUTLINE, GENSET																																																																																																																																																																																																																																																																																																																																																																																																																																																																																																																																																																																																																																																																																																																																																																																																																																																																																																																																								
OPTIONS																																																																																																																																																																																																																																																																																																																																																																																																																																																																																																																																																																																																																																																																																																																																																																																																																																																																																																																																								
<table border="1"> <tr> <td>ANG TOL</td> <td>± 1.0°</td> </tr> </table>				ANG TOL	± 1.0°	<table border="1"> <tr> <td>SCALE</td> <td>3:16</td> </tr> </table>	SCALE	3:16	<table border="1"> <tr> <td>SIZE</td> <td>ARROW</td> </tr> </table>	SIZE	ARROW	<table border="1"> <tr> <td>DATE</td> <td>17MAR16</td> </tr> </table>	DATE	17MAR16	<table border="1"> <tr> <td>APVD</td> <td>M JAWALE</td> </tr> </table>	APVD	M JAWALE	<table border="1"> <tr> <td>DATE</td> <td>17MAR16</td> </tr> </table>	DATE	17MAR16	<table border="1"> <tr> <td>OUTLINE, GENSET</td> </tr> <tr> <td>OPTIONS</td> </tr> </table>	OUTLINE, GENSET	OPTIONS																																																																																																																																																																																																																																																																																																																																																																																																																																																																																																																																																																																																																																																																																																																																																																																																																																																																																																																	
ANG TOL	± 1.0°																																																																																																																																																																																																																																																																																																																																																																																																																																																																																																																																																																																																																																																																																																																																																																																																																																																																																																																																							
SCALE	3:16																																																																																																																																																																																																																																																																																																																																																																																																																																																																																																																																																																																																																																																																																																																																																																																																																																																																																																																																							
SIZE	ARROW																																																																																																																																																																																																																																																																																																																																																																																																																																																																																																																																																																																																																																																																																																																																																																																																																																																																																																																																							
DATE	17MAR16																																																																																																																																																																																																																																																																																																																																																																																																																																																																																																																																																																																																																																																																																																																																																																																																																																																																																																																																							
APVD	M JAWALE																																																																																																																																																																																																																																																																																																																																																																																																																																																																																																																																																																																																																																																																																																																																																																																																																																																																																																																																							
DATE	17MAR16																																																																																																																																																																																																																																																																																																																																																																																																																																																																																																																																																																																																																																																																																																																																																																																																																																																																																																																																							
OUTLINE, GENSET																																																																																																																																																																																																																																																																																																																																																																																																																																																																																																																																																																																																																																																																																																																																																																																																																																																																																																																																								
OPTIONS																																																																																																																																																																																																																																																																																																																																																																																																																																																																																																																																																																																																																																																																																																																																																																																																																																																																																																																																								
<table border="1"> <tr> <td>ANG TOL</td> <td>± 1.0°</td> </tr> </table>				ANG TOL	± 1.0°	<table border="1"> <tr> <td>SCALE</td> <td>3:16</td> </tr> </table>	SCALE	3:16	<table border="1"> <tr> <td>SIZE</td> <td>ARROW</td> </tr> </table>	SIZE	ARROW	<table border="1"> <tr> <td>DATE</td> <td>17MAR16</td> </tr> </table>	DATE	17MAR16	<table border="1"> <tr> <td>APVD</td> <td>M JAWALE</td> </tr> </table>	APVD	M JAWALE	<table border="1"> <tr> <td>DATE</td> <td>17MAR16</td> </tr> </table>	DATE	17MAR16	<table border="1"> <tr> <td>OUTLINE, GENSET</td> </tr> <tr> <td>OPTIONS</td> </tr> </table>	OUTLINE, GENSET	OPTIONS																																																																																																																																																																																																																																																																																																																																																																																																																																																																																																																																																																																																																																																																																																																																																																																																																																																																																																																	
ANG TOL	± 1.0°																																																																																																																																																																																																																																																																																																																																																																																																																																																																																																																																																																																																																																																																																																																																																																																																																																																																																																																																							
SCALE	3:16																																																																																																																																																																																																																																																																																																																																																																																																																																																																																																																																																																																																																																																																																																																																																																																																																																																																																																																																							
SIZE	ARROW																																																																																																																																																																																																																																																																																																																																																																																																																																																																																																																																																																																																																																																																																																																																																																																																																																																																																																																																							
DATE	17MAR16																																																																																																																																																																																																																																																																																																																																																																																																																																																																																																																																																																																																																																																																																																																																																																																																																																																																																																																																							
APVD	M JAWALE																																																																																																																																																																																																																																																																																																																																																																																																																																																																																																																																																																																																																																																																																																																																																																																																																																																																																																																																							
DATE	17MAR16																																																																																																																																																																																																																																																																																																																																																																																																																																																																																																																																																																																																																																																																																																																																																																																																																																																																																																																																							
OUTLINE, GENSET																																																																																																																																																																																																																																																																																																																																																																																																																																																																																																																																																																																																																																																																																																																																																																																																																																																																																																																																								
OPTIONS																																																																																																																																																																																																																																																																																																																																																																																																																																																																																																																																																																																																																																																																																																																																																																																																																																																																																																																																								
<table border="1"> <tr> <td>ANG TOL</td> <td>± 1.0°</td> </tr> </table>				ANG TOL	± 1.0°	<table border="1"> <tr> <td>SCALE</td> <td>3:16</td> </tr> </table>	SCALE	3:16	<table border="1"> <tr> <td>SIZE</td> <td>ARROW</td> </tr> </table>	SIZE	ARROW	<table border="1"> <tr> <td>DATE</td> <td>17MAR16</td> </tr> </table>	DATE	17MAR16	<table border="1"> <tr> <td>APVD</td> <td>M JAWALE</td> </tr> </table>	APVD	M JAWALE	<table border="1"> <tr> <td>DATE</td> <td>17MAR16</td> </tr> </table>	DATE	17MAR16	<table border="1"> <tr> <td>OUTLINE, GENSET</td> </tr> <tr> <td>OPTIONS</td> </tr> </table>	OUTLINE, GENSET	OPTIONS																																																																																																																																																																																																																																																																																																																																																																																																																																																																																																																																																																																																																																																																																																																																																																																																																																																																																																																	
ANG TOL	± 1.0°																																																																																																																																																																																																																																																																																																																																																																																																																																																																																																																																																																																																																																																																																																																																																																																																																																																																																																																																							
SCALE	3:16																																																																																																																																																																																																																																																																																																																																																																																																																																																																																																																																																																																																																																																																																																																																																																																																																																																																																																																																							
SIZE	ARROW																																																																																																																																																																																																																																																																																																																																																																																																																																																																																																																																																																																																																																																																																																																																																																																																																																																																																																																																							
DATE	17MAR16																																																																																																																																																																																																																																																																																																																																																																																																																																																																																																																																																																																																																																																																																																																																																																																																																																																																																																																																							
APVD	M JAWALE																																																																																																																																																																																																																																																																																																																																																																																																																																																																																																																																																																																																																																																																																																																																																																																																																																																																																																																																							
DATE	17MAR16																																																																																																																																																																																																																																																																																																																																																																																																																																																																																																																																																																																																																																																																																																																																																																																																																																																																																																																																							
OUTLINE, GENSET																																																																																																																																																																																																																																																																																																																																																																																																																																																																																																																																																																																																																																																																																																																																																																																																																																																																																																																																								
OPTIONS																																																																																																																																																																																																																																																																																																																																																																																																																																																																																																																																																																																																																																																																																																																																																																																																																																																																																																																																								
<table border="1"> <tr> <td>ANG TOL</td> <td>± 1.0°</td> </tr> </table>				ANG TOL	± 1.0°	<table border="1"> <tr> <td>SCALE</td> <td>3:16</td> </tr> </table>	SCALE	3:16	<table border="1"> <tr> <td>SIZE</td> <td>ARROW</td> </tr> </table>	SIZE	ARROW	<table border="1"> <tr> <td>DATE</td> <td>17MAR16</td> </tr> </table>	DATE	17MAR16	<table border="1"> <tr> <td>APVD</td> <td>M JAWALE</td> </tr> </table>	APVD	M JAWALE	<table border="1"> <tr> <td>DATE</td> <td>17MAR16</td> </tr> </table>	DATE	17MAR16	<table border="1"> <tr> <td>OUTLINE, GENSET</td> </tr> <tr> <td>OPTIONS</td> </tr> </table>	OUTLINE, GENSET	OPTIONS																																																																																																																																																																																																																																																																																																																																																																																																																																																																																																																																																																																																																																																																																																																																																																																																																																																																																																																	
ANG TOL	± 1.0°																																																																																																																																																																																																																																																																																																																																																																																																																																																																																																																																																																																																																																																																																																																																																																																																																																																																																																																																							
SCALE	3:16																																																																																																																																																																																																																																																																																																																																																																																																																																																																																																																																																																																																																																																																																																																																																																																																																																																																																																																																							
SIZE	ARROW																																																																																																																																																																																																																																																																																																																																																																																																																																																																																																																																																																																																																																																																																																																																																																																																																																																																																																																																							
DATE	17MAR16																																																																																																																																																																																																																																																																																																																																																																																																																																																																																																																																																																																																																																																																																																																																																																																																																																																																																																																																							
APVD	M JAWALE																																																																																																																																																																																																																																																																																																																																																																																																																																																																																																																																																																																																																																																																																																																																																																																																																																																																																																																																							
DATE	17MAR16																																																																																																																																																																																																																																																																																																																																																																																																																																																																																																																																																																																																																																																																																																																																																																																																																																																																																																																																							
OUTLINE, GENSET																																																																																																																																																																																																																																																																																																																																																																																																																																																																																																																																																																																																																																																																																																																																																																																																																																																																																																																																								
OPTIONS																																																																																																																																																																																																																																																																																																																																																																																																																																																																																																																																																																																																																																																																																																																																																																																																																																																																																																																																								
<table border="1"> <tr> <td>ANG TOL</td> <td>± 1.0°</td> </tr> </table>				ANG TOL	± 1.0°	<table border="1"> <tr> <td>SCALE</td> <td>3:16</td> </tr> </table>	SCALE	3:16	<table border="1"> <tr> <td>SIZE</td> <td>ARROW</td> </tr> </table>	SIZE	ARROW	<table border="1"> <tr> <td>DATE</td> <td>17MAR16</td> </tr> </table>	DATE	17MAR16	<table border="1"> <tr> <td>APVD</td> <td>M JAWALE</td> </tr> </table>	APVD	M JAWALE	<table border="1"> <tr> <td>DATE</td> <td>17MAR16</td> </tr> </table>	DATE	17MAR16	<table border="1"> <tr> <td>OUTLINE, GENSET</td> </tr> <tr> <td>OPTIONS</td> </tr> </table>	OUTLINE, GENSET	OPTIONS																																																																																																																																																																																																																																																																																																																																																																																																																																																																																																																																																																																																																																																																																																																																																																																																																																																																																																																	
ANG TOL	± 1.0°																																																																																																																																																																																																																																																																																																																																																																																																																																																																																																																																																																																																																																																																																																																																																																																																																																																																																																																																							
SCALE	3:16																																																																																																																																																																																																																																																																																																																																																																																																																																																																																																																																																																																																																																																																																																																																																																																																																																																																																																																																							
SIZE	ARROW																																																																																																																																																																																																																																																																																																																																																																																																																																																																																																																																																																																																																																																																																																																																																																																																																																																																																																																																							
DATE	17MAR16																																																																																																																																																																																																																																																																																																																																																																																																																																																																																																																																																																																																																																																																																																																																																																																																																																																																																																																																							
APVD	M JAWALE																																																																																																																																																																																																																																																																																																																																																																																																																																																																																																																																																																																																																																																																																																																																																																																																																																																																																																																																							
DATE	17MAR16																																																																																																																																																																																																																																																																																																																																																																																																																																																																																																																																																																																																																																																																																																																																																																																																																																																																																																																																							
OUTLINE, GENSET																																																																																																																																																																																																																																																																																																																																																																																																																																																																																																																																																																																																																																																																																																																																																																																																																																																																																																																																								
OPTIONS																																																																																																																																																																																																																																																																																																																																																																																																																																																																																																																																																																																																																																																																																																																																																																																																																																																																																																																																								
<table border="1"> <tr> <td>ANG TOL</td> <td>± 1.0°</td> </tr> </table>				ANG TOL	± 1.0°	<table border="1"> <tr> <td>SCALE</td> <td>3:16</td> </tr> </table>	SCALE	3:16	<table border="1"> <tr> <td>SIZE</td> <td>ARROW</td> </tr> </table>	SIZE	ARROW	<table border="1"> <tr> <td>DATE</td> <td>17MAR16</td> </tr> </table>	DATE	17MAR16	<table border="1"> <tr> <td>APVD</td> <td>M JAWALE</td> </tr> </table>	APVD	M JAWALE	<table border="1"> <tr> <td>DATE</td> <td>17MAR16</td> </tr> </table>	DATE	17MAR16	<table border="1"> <tr> <td>OUTLINE, GENSET</td> </tr> <tr> <td>OPTIONS</td> </tr> </table>	OUTLINE, GENSET	OPTIONS																																																																																																																																																																																																																																																																																																																																																																																																																																																																																																																																																																																																																																																																																																																																																																																																																																																																																																																	
ANG TOL	± 1.0°																																																																																																																																																																																																																																																																																																																																																																																																																																																																																																																																																																																																																																																																																																																																																																																																																																																																																																																																							
SCALE	3:16																																																																																																																																																																																																																																																																																																																																																																																																																																																																																																																																																																																																																																																																																																																																																																																																																																																																																																																																							
SIZE	ARROW																																																																																																																																																																																																																																																																																																																																																																																																																																																																																																																																																																																																																																																																																																																																																																																																																																																																																																																																							
DATE	17MAR16																																																																																																																																																																																																																																																																																																																																																																																																																																																																																																																																																																																																																																																																																																																																																																																																																																																																																																																																							
APVD	M JAWALE																																																																																																																																																																																																																																																																																																																																																																																																																																																																																																																																																																																																																																																																																																																																																																																																																																																																																																																																							
DATE	17MAR16																																																																																																																																																																																																																																																																																																																																																																																																																																																																																																																																																																																																																																																																																																																																																																																																																																																																																																																																							
OUTLINE, GENSET																																																																																																																																																																																																																																																																																																																																																																																																																																																																																																																																																																																																																																																																																																																																																																																																																																																																																																																																								
OPTIONS																																																																																																																																																																																																																																																																																																																																																																																																																																																																																																																																																																																																																																																																																																																																																																																																																																																																																																																																								
<table border="1"></table>																																																																																																																																																																																																																																																																																																																																																																																																																																																																																																																																																																																																																																																																																																																																																																																																																																																																																																																																								

Part A054Y899 A

Description	Legacy Name	External Regulations	Application Status	Release Phase Code	Security Classification	Alternates
OUTLINE_GENSET	A054Y899	No External Regulations Apply	Production Only	Production	Confidential	

Part Specifications :A054Y899 A

Name	Description	Legacy Name
A030B356	SPECIFICATION,MATERIAL	CES10903
A054Y900	DRAWING,ENGINEERING	A054Y900